



IIDXM-100100

Multi-Energy X-Ray Security Inspection Equipment



Product Instruction

IIDXM-100100 is a practical large tunnel design x-ray security equipment which has been widely applied for railways, highways, logistics and other cargo security inspection.

IIDXM-100100 has high mobility (and could be easily move to any locations which need the security inspection) through rolling casters.

IIDXM-100100 is an ideal model for large size luggage scanning because of its advanced image processing platform and strong image transformation functions.

Technology Features

- ◆ Shiny clear images
- ◆ Sophisticated design with multi-functions operator interface
- ◆ High- resolution
- ◆ Can increase the conveyor speed to 0.3m/s(Customized)
- ◆ Collection the high-speed parallel of detection data
- ◆ With network interface to achieve total network management
- ◆ Support JPG & BMP image transformation format to USB

Applications

Civil aviation

Highway

Port

Railway

Custom



www.iid2secure.nl
 Extra Benefits, Less Price
 Finestrat,19, 03530 La Nucia, Alicante, Spain
 © IID Secure Tech S.L.U. 2019

Heemdtedestraat 16 Amsterdam, Netherlands
 Support@iid2secure.nl
 +31614762425
 Data Subject to change without notice



General Specification

- Tunnel size..... 1020 mm (W) x 1020 mm (H)
- Conveyor Speed..... 0.2 m/s
- Conveyor Height..... 300 mm
- Max. Load..... 200 kg (Evenly distributed)
- Resolution..... Typical: AWG 40 Standard: AWG 36
- Penetration(Steel)..... Typical: 32 mm Standard: 30 mm
- Spatial Resolution..... Horizontal: Φ 1.3 mm Vertical: Φ 1.6 mm
- Image Resolution..... 19"LED (Single Display)

Image Processing System

- Display..... Black / White, Color
- Processing Function..... F1/F2/F3 self-definition combination, edge enhancement, negative, partial enhancement, gray scale scan.
- Saves Capacity & Pull back..... 100,000 images / infinite review (the previous pictures)
- Resolution..... 1440 x 900
- Processing & Gray Scale..... 24Bit real-time processing/65536
- Enlargement..... Up to 64X dynamic continuous zoom & panning

X-Ray Generator

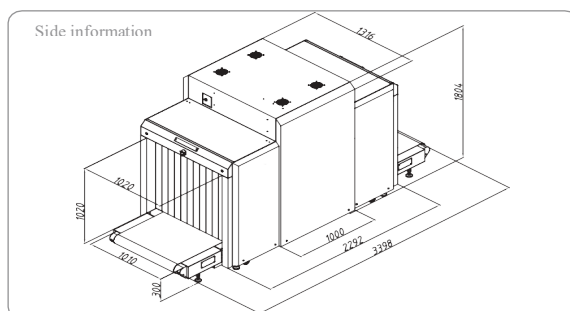
- Anode Voltage..... 160 KV (adjustable)
- Beam Direction..... From top
- Cooling & Running Cycle..... Sealed oil cooling & 100%
- X-Ray Sensor..... Multi-energy L photoelectric diode array detector

IPC Configuration

- Standard Function..... Win7; RAM: 2GB; Hard Disk: 500G.
- Optional Function..... RAM: 4G、8G、16G;
Hard Disk: 1T、2T;
Video Card: 2G、4G、8G;

X-Ray Security

- Leakage..... < 1 μ Gy/h (5cm distance from outer),
According to the national and international Safety standard
- Film Safety..... According to the ISO1600 (33DIN)
High speed standard



System Function

- Alarm Function
- Browse
- Fault Self-diagnosis and Maintenance Functions
- Image Navigation
- Limits of Authority Management for Operator
- System Working Timing
- TIP
- User Management
- Urgent Stop
- Working Status Display
- Outlet Skateboard
- Image Split Joint
- Single-directional Scanning
- Date & Time Display
- High Density Alarm
- Image Magnification Display
- Luggage Counting
- Network Interface
- One-key Shutdown
- Self-check Power-on
- Save and Retrieval
- Save As
- Ultra-thin Scanning
- X-Ray Emission Timing
- X-Autosight

Optional Function

- Bi-directional Scanning
- OTP The Operator Training Program
- Video System
- Voltage Stabilizer
- Voice Announcement Function
- Double Display
- Energy Saving
- UPS Uninterruptible Power Supply
- LED Screen Display
- Voice Recording Function

Video System

- Using the professional video equipment, it can combine x-ray image, specific package and its owner into one system, to help operators review and analysis after crisis. With this extended function, the operators can quickly target the potential suspects. This system is not only user friendly but also has the remarkable effects which win the warm praise from the public security police officers.

Installation Data

- Size..... 3398 mm (L) x 1316 mm (W) x 1804 mm (H)
- Weight..... 1200 KG
- Working Temperature / Humidity..... 0°C ~ +45°C / 10% ~ 95% (non-condensing)
- Storage Temperature / Humidity..... -40°C ~ +60°C / 10% ~ 95% (non-condensing)
- Power Supply..... AC 220 V (+10% ~ -15%) 50 \pm 3 (Hz)
- Power consumption..... About 0.48 (KVA)



www.iid2secure.nl
Extra Benefits, Less Price
Finestrat, 19, 03530 La Nucia, Alicante, Spain
© IID Secure Tech S.L.U. 2019

Heemdtedestraat 16 Amsterdam, Netherlands
Support@iid2secure.nl
+31614762425
Data Subject to change without notice