

LBC3018/01 Cabinet loudspeaker, metal, rectangular

www.boschsecurity.com



BOSCH
Invented for life



- ▶ Suitable for speech and music reproduction
- ▶ Robust metal enclosure
- ▶ Surface and/or recessed mounting
- ▶ Provision for internal mounting of the optional line/loudspeaker supervision boards
- ▶ EN 54-24 certified

The LBC 3018/01 cabinet loudspeaker delivers professional performance from a robust, yet aesthetically designed metal enclosure. It is an ideal loudspeaker for indoor use in offices, schools, car parking, shopping centers and in areas where vandalism is a potential hazard.

The cabinets are equipped with a high efficiency, dual-cone loudspeaker offering a wide frequency range suitable for both speech and music reproduction.

Functions

Voice alarm loudspeakers are specifically designed for use in buildings, where the performance of PA-systems is subject to official regulations. The LBC 3018/01 is designed for voice alarm systems, and is compliant with the EN 54-24 standard.

The loudspeaker has built-in protection to ensure that, in the event of a fire, damage to the loudspeaker does not result in failure of the circuit to which it is connected. In this way, system integrity is maintained, ensuring loudspeakers in other areas can still be used to inform people of the situation. The loudspeaker has a ceramic terminal block, thermal fuse, and heat-resistant, high-temperature wiring.

The cabinet has a provision for internally mounting the optional line/loudspeaker supervision board.

Certifications and approvals

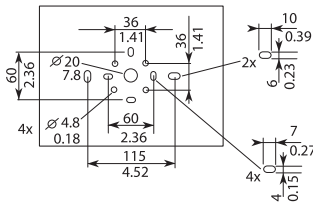
All Bosch loudspeakers are designed to withstand operating at their rated power for 100 continuous hours in accordance with IEC 268-5 Power Handling Capacity (PHC) standards. Bosch has also developed the Simulated Acoustical Feedback Exposure (SAFE) test to demonstrate that they can withstand two times their rated power for short durations. This ensures improved reliability under extreme conditions, leading to higher customer satisfaction, longer operating life, and lessens the chance of failure or performance deterioration.

Safety	acc. to EN 60065
Emergency	acc. to EN 54-24, BS 5839-8 and EN 60849
Water and dust protection	acc. to EN60529 IP32 IP21C verified for EN54-24 by CNBOP

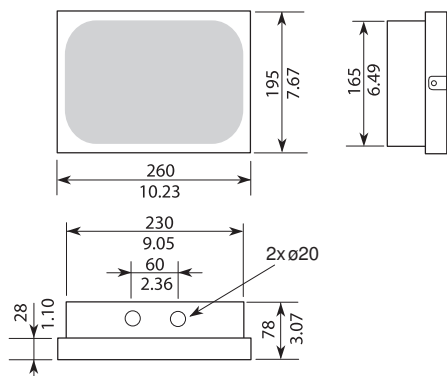
Region	Regulatory compliance/quality marks	
Europe	CPR	EU_CPR
	CE	EU_DOP

Region	Regulatory compliance/quality marks
	CE DECL EC LBC3018_01
Poland	CNBOP

Installation/configuration notes

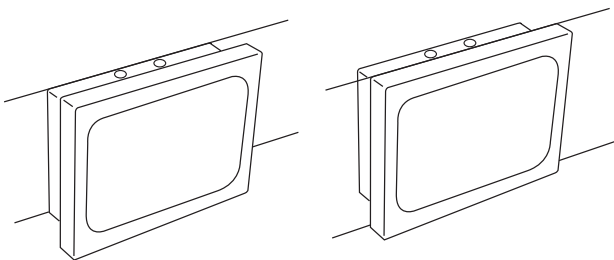


Mounting dimensions in mm (in)



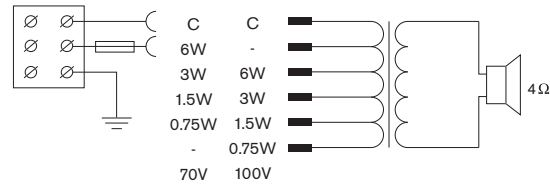
Dimensions in mm (in)

The cabinet is designed for both surface mounting on walls and recessed mounting into brick or concrete walls. The back-box of the cabinet provides a selection of mounting holes, even for mounting onto U40 and MK installation boxes. The back-box has two knockout holes on the topside for two cable glands for loop-through connection. For extra convenience, a safety cord from the back-box lets the installer temporarily hang the front grille unit during installation.

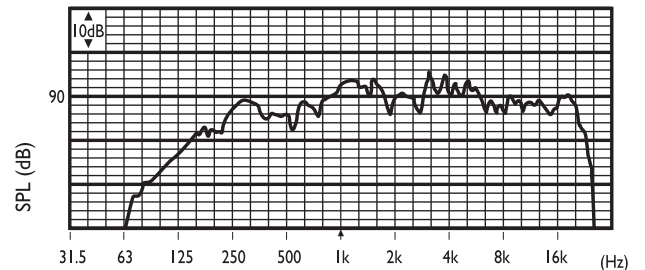


Surface mounted (left) and recessed (right) mounted

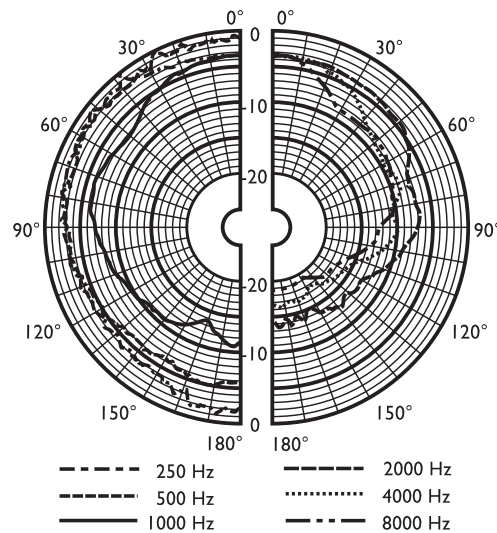
The cabinet has a three-way terminal block with screw connections suitable for loop-through wiring (including earth). Four primary taps are provided on the matching transformer to allow selection of nominal full-power, half-power, quarter-power or eighth power radiation (in 3 dB steps).



Circuit diagram



Frequency response



Polar diagram (measured with pink noise)

	250 Hz	500 Hz	1 kHz	2 kHz	4 kHz	8 kHz
SPL 1.1	84	93	94	97	97	93
SPL max.	92	101	102	105	105	103
Q-factor	2.5	3.3	7.9	8.5	12.9	14.2
Efficiency	0.32	2.2	4	7.1	5.6	2.5
H. angle	180	180	120	85	55	40
V. angle	180	180	80	110	60	35

Acoustical performance specified per octave

Parts included

Quantity	Component
1	LBC3018/01 Cabinet loudspeaker, metal, rectangular
1	Installation instruction

Technical specifications

Electrical*

Rated power (PHC)	6 W		
Power tapping	6 / 3 / 1.5 / 0.75 W		
Sound pressure level at 6 W / 1 W (1 kHz, 1 m)	102 dB / 94 dB (SPL)		
Sound pressure level at 6 W / 1 W (1 kHz, 4 m)	88 / 80 dB (SPL)		
Effective frequency Range (-10 dB)	150 Hz to 20 kHz		
Opening angle at 1 kHz / 4 kHz (-6 dB)	120 ° / 55 °		
Rated voltage	70 V	100 V	
Rated impedance	6 W	835 Ohm	1667 Ohm
	3 W	1667 Ohm	3333 Ohm
	1.5 W	3333 Ohm	6667 Ohm
	0.75 W	6667 Ohm	13333 Ohm
Connector	3-pole screw terminal block		

* Technical performance data acc. to IEC 60268-5

Mechanical

Dimensions (H x W x D)	195 x 260 x 80 mm (7.68 x 10.24 x 3.15 in)
Weight	2.6 kg (5.78 lb)
Color	White (RAL 9010)

Speaker size	152.4 mm (6 in)
Magnet weight	150 g (5.3 oz)

Environmental

Operating temperature	10 °C to +55 °C (+14 °F to +131 °F)
Storage and transport temperature	-40 °C to +70 °C (-40 °F to +158 °F)
Relative humidity	<95%

Note:

- The specification data is measured in an anechoic chamber, free field
- The reference axis is perpendicular to the center point of the front grille
- The reference plane is perpendicular to the center of the reference axis
- The horizontal plane is perpendicular to the center of the reference plane

 1438
Bosch Security Systems BV Torenallee 49, 5617 BA Eindhoven, the Netherlands 11 1438/CPD/0202
EN 54-24:2008 Loudspeaker for voice alarm systems for fire detection and fire alarm systems for buildings Metal Cabinet Loudspeaker 6 W LBC3018/01 Type A DoP: LP032920

Ordering information

LBC3018/01 Cabinet loudspeaker, metal, rectangular
 Cabinet loudspeaker 6 W, rectangular, metal enclosure, water and dust protected IP32, EN54-24 certified, white RAL 9010.
 Order number **LBC3018/01**

Represented by:

Europe, Middle East, Africa:
 Bosch Security Systems B.V.
 P.O. Box 80002
 5600 JB Eindhoven, The Netherlands
 Phone: + 31 40 2577 284
 emea.securitysystems@bosch.com
 emea.boschsecurity.com

Germany:
 Bosch Sicherheitssysteme GmbH
 Robert-Bosch-Ring 5
 85630 Grasbrunn
 Germany
 www.boschsecurity.com

North America:
 Bosch Security Systems, Inc.
 130 Perinton Parkway
 Fairport, New York, 14450, USA
 Phone: +1 800 289 0096
 Fax: +1 585 223 9180
 onlinehelp@us.bosch.com
 www.boschsecurity.us

Asia-Pacific:
 Robert Bosch (SEA) Pte Ltd, Security Systems
 11 Bishan Street 21
 Singapore 573943
 Phone: +65 6571 2808
 Fax: +65 6571 2699
 apr.securitysystems@bosch.com
 www.boschsecurity.asia