

# PVA-15CST Call station

www.boschsecurity.com



**BOSCH**  
Invented for life



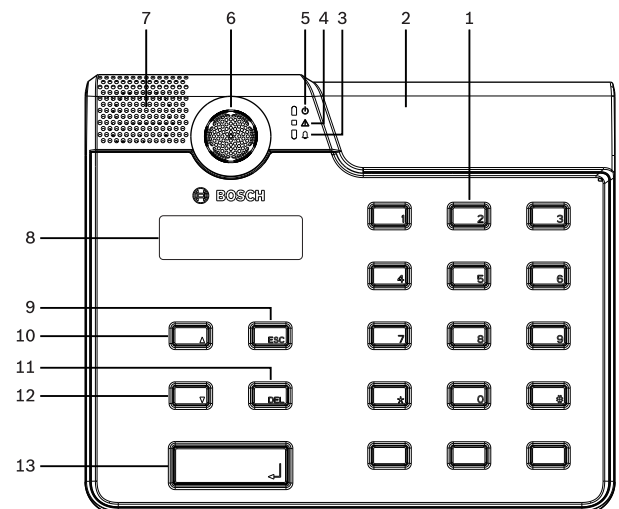
- ▶ Call station with soft touch button for PAVIRO system
- ▶ 15 freely programmable buttons
- ▶ Customization via built-in display and keys
- ▶ Provision for installing emergency button and key switch
- ▶ EN 54-16 and ISO 7240-16 system certification

The PVA-15CST is a call station for the PAVIRO system. As standard, the call station has a gooseneck microphone with pop shield and permanent monitoring, a total of 20 buttons, an illuminated LC display, and an integrated loudspeaker. The call station can be modified to suit the user's requirements by connecting up to five PVA-20CSE call station extensions, each with 20 customizable selection buttons.

**Other properties:**

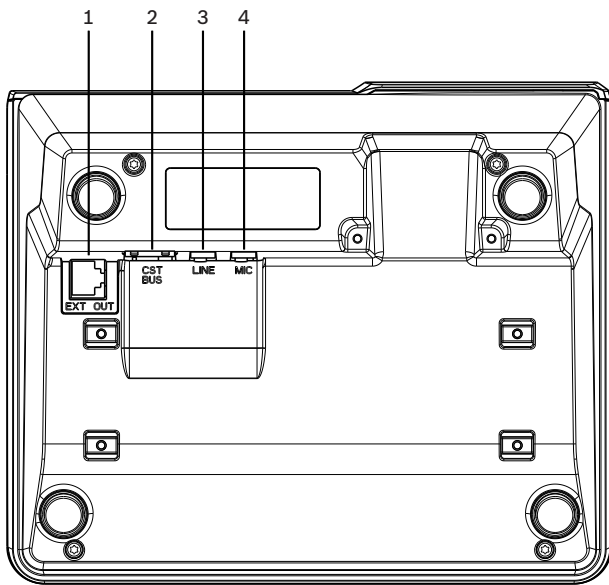
- Five menu/function keys (pre-programmed) - one green or one yellow indicator light per button
- 15 selection buttons (customizable) - two indicator lights (green/red) per button
- Numeric zone selection (can be activated during IRIS-Net configuration)
- Label with transparent covering - the label can be changed at any time
- Can be used as a standing or desk/rack flush-mounted device
- Internal monitoring with error logging - complies with all relevant national and international standards
- Easy configuration - use of the Configuration Wizard or IRIS-Net software

## System overview



- 1 Selection buttons
- 2 Button installation slots
- 3 Voice alarm indicator light

- 4 Combined fault warning indicator light
- 5 Power indicator light
- 6 Microphone
- 7 Loudspeaker
- 8 Display
- 9 ESC button
- 10 ↑ button
- 11 DEL button
- 12 ↓ button
- 13 ↵ button



- 1 EXT OUT port
- 2 CST BUS port
- 3 LINE port
- 4 MIC port

### Certifications and approvals

#### Emergency standard certifications

Europe	EN 54-16
International	ISO 7240-16

#### Environmental directive compliance

Safety	EN 60065
Immunity	EN 50130-4
Emissions	EN 61000-6-3 ICES-003 FCC-47 part 15B class A

#### Environmental directive compliance

Environment	EN 50581
Maritime	EN 60945

#### Conformity

Europe	CE/CPR
USA	FCC
Canada	ICES
Australia	RCM
Korea	KCC
Russian Federation	EAC
Environment	RoHS

#### Parts included

Quantity	Component
1	PVA-15CST
1	Patch cable (3 meters)
7	Blank paper strips
1	Strain relief (bracket)
2	Screws for strain relief
1	Cover release tool
1	Operation manual
1	Important safety instructions

#### Technical specifications

##### Electrical

CAN BUS port	10, 20, or 62.5 kbit/s, 1 × RJ-45, max. length 1000 m
Maximum mic input level	-21 dBu
Maximum line input level	+4 dBu
Maximum NF output level	+12 dBu
Microphone:	<ul style="list-style-type: none"> <li>• Nominal acoustic input level</li> <li>• Frequency response</li> <li>• Signal to noise ratio</li> </ul>
Buttons	5 pre-programmed, 15 programmable zone/function keys

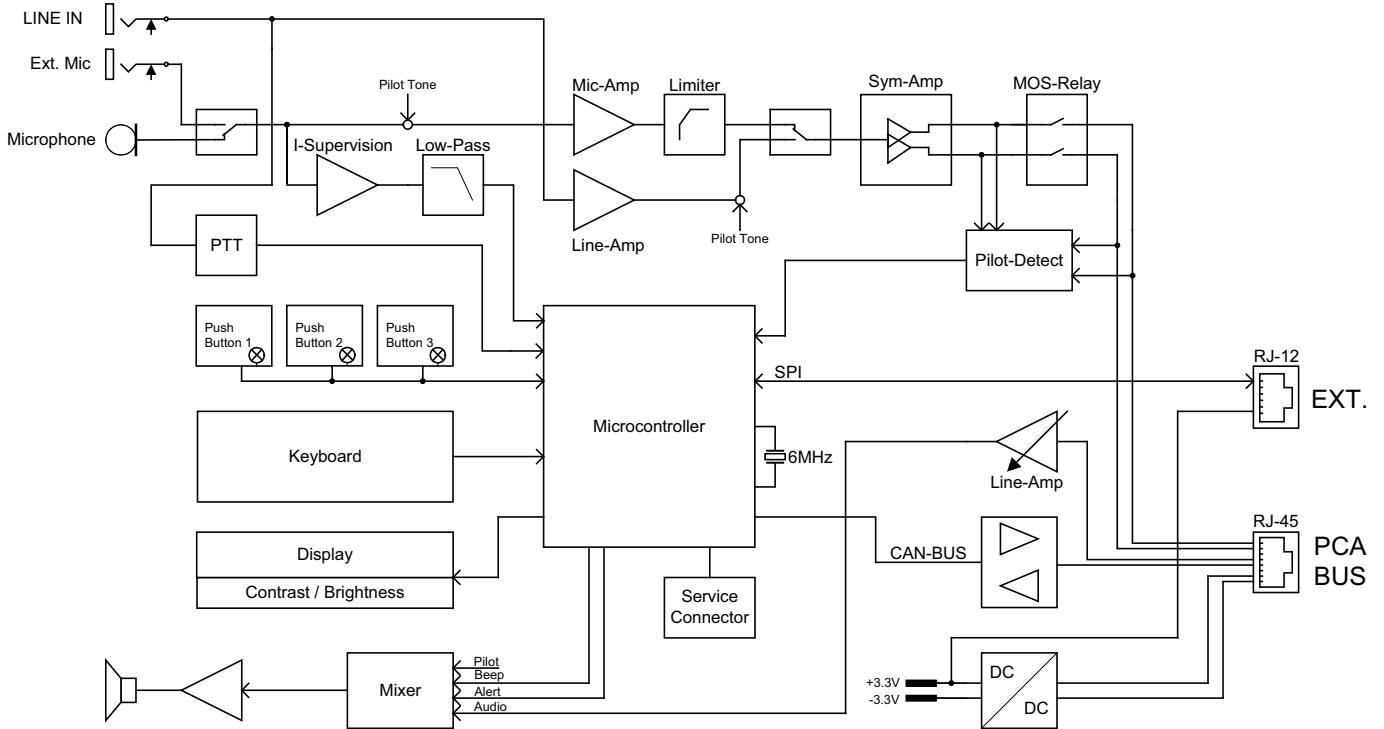
Indicator lights	Power (green), Fault (yellow), Alarm (red) Green or yellow LED per pre-programmed menu button Green and red LED per programmable zone/function key
LC display	Back-lit LC display (122 X 32 pixel)
Ports	1 CST BUS port (Control data + Audio + Power supply, RJ-45) 1 audio source (line level, phone jack) 1 microphone port (phone jack) 1 EXT OUT port (call station extension, RJ-12)
DC power input	15-58 V
Maximum supply current (without call station extensions)	Standby/Idle/ Announcement/Alert: 24 V / 80 mA / 1.92 W
Maximum supply current (with 5 call station extensions)	Standby/Idle/ Announcement/Alert: 24 V / 190 mA / 4.56 W

**Environmental**

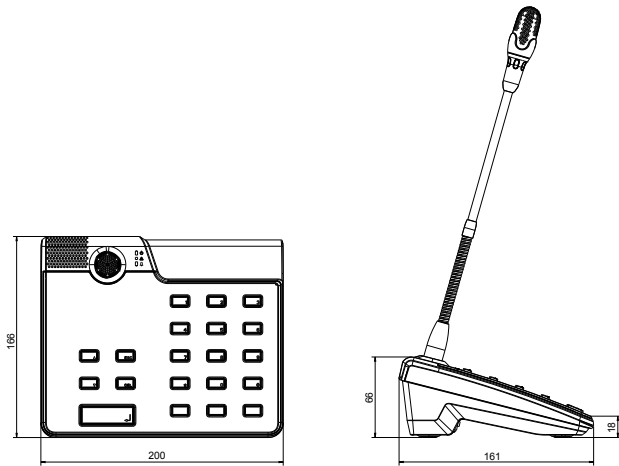
Operating temperature	-5 °C to +45 °C (+23 °F to +113 °F)
Storage temperature	-40°C to +70 °C (-40 °F to +158 °F)
Humidity (non-condensing)	5% to 90%
Altitude	Up to 2000 m

**Mechanical**

Dimensions (HxWxD)	166 mm x 200 mm x 66 mm (without microphone)
Weight (net)	0.6 kg
Mouting	Standalone; 19 in. rack
Color	Black



Circuit diagram



Dimensions of Call Station

## Ordering information

### PVA-15CST Call station

Call station for the PAVIRO system; has gooseneck microphone with pop shield and permanent monitoring.

Order number **PVA-15CST**

## Accessories

### PVA-20CSE Call station extension

Call station extension for the PAVIRO system; has 20 customizable selection buttons.

Order number **PVA-20CSE**

### PVA-1EB Call station emergency button

Optional emergency button that can be installed in the PVA-15CST Call station.

Order number **PVA-1EB**

### PVA-1KS Call station key switch

Optional key switch that can be installed in the PVA-15CST Call station.

Order number **PVA-1KS**

## Represented by:

**Europe, Middle East, Africa:**  
Bosch Security Systems B.V.  
P.O. Box 80002  
5600 JB Eindhoven, The Netherlands  
Phone: + 31 40 2577 284  
emea.securitysystems@bosch.com  
emea.boschsecurity.com

**Germany:**  
Bosch Sicherheitssysteme GmbH  
Robert-Bosch-Ring 5  
85630 Grasbrunn  
Germany  
www.boschsecurity.com

**North America:**  
Bosch Security Systems, Inc.  
130 Perinton Parkway  
Fairport, New York, 14450, USA  
Phone: +1 800 289 0096  
Fax: +1 585 223 9180  
onlinehelp@us.bosch.com  
www.boschsecurity.us

**Asia-Pacific:**  
Robert Bosch (SEA) Pte Ltd, Security Systems  
11 Bishan Street 21  
Singapore 573943  
Phone: +65 6571 2808  
Fax: +65 6571 2699  
apr.securitysystems@bosch.com  
www.boschsecurity.asia