

Electronic Bell

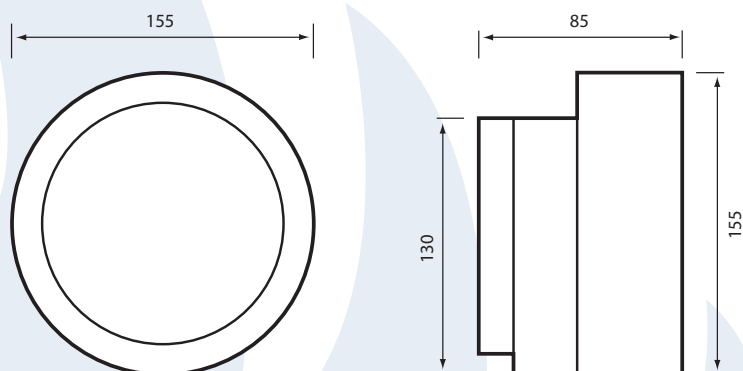
An electronic bell for a wide range of uses.

Metal casing available in red or grey finish.

Suitable for semi flush or surface mounting.

TECHNICAL SPECIFICATION		
Voltage	24V dc	220/240V ac
Ingress Protection	Standard IP40	
	Special IP55	
Approx Weight	1.1 Kg	1.25 Kg
Operating Temperature	Indoor, -10 °C to +50 °C	
Sound Output at 1m	95dB(A)	
Current at Nominal Voltage	30mA	

Dimensions (mm)



ORDER CODES

24V dc red IP40 74430-88NM

Weather Resistant, 24V dc
red IP55 74432-88NM

Weather Resistant, 220/240V ac
grey IP55 74333-50NM



MORLEY  **IAS**

FIRE SYSTEMS

by Honeywell