

# Honeywell Black™

## CASD120P(N)TW

**Honeywell**

[www.black.honeywell.com](http://www.black.honeywell.com)

### 12X HIGH RESOLUTION TDN WDR SPEED DOME CAMERA

Honeywell Black™ series CASD120P(N)TW 12x Weatherproof Speed Dome Camera is designed for truly full time surveillance in extreme environment.

The True Day/Night function comes with a mechanical IR-cut filter which guarantees superior image quality at both day and night time. The camera features Wide Dynamic Range (WDR) which is designed for 24x7 surveillance in facilities where intensity of illumination can vary excessively.

The CASD120P(N)TW also provides considerably wide coverage to capture high resolution vivid images. Its 360° continuous rotation and the 12x zoom lens give you a full picture of the area under surveillance in optimal width and depth.

This high performance camera is housed by IP66 dome enclosure to prevent the camera from dust and rain. Whether it is installed indoor in warehouses and loading docks, or in an outdoor area with unexpected weather conditions, the CASD120P(N)TW always stays protected in any environment.

#### Market Opportunities

Honeywell Black™ CASD120P(N)TW is designed for high quality surveillance applications at an economical price. It is ideal for different applications where intensity of illumination varies excessively, such as car parks, highways, hotels, restaurants, shopping malls, hospitals, residential areas, commercial buildings, education facilities and so on.

#### FEATURES

- 12x Optical Zoom, 32x Digital Zoom
- High resolution 600TVL
- WDR, TDN
- 360° endless horizontal rotation
- 90° vertical movement, 180° vertical movement (auto flip on)
- Max. 400° / sec preset speed
- 127 presets, 4 pattern, 8 groups, 8 privacy zone programmable
- Auto focus, auto flip, auto power on
- Zoom proportional selectable
- Park function
- IP66 rating (outdoor housing)



Indoor



Outdoor

# Honeywell Black™

## CASD120P(N)TW

**Honeywell**

www.black.honeywell.com

### 12X HIGH RESOLUTION TDN WDR SPEED DOME CAMERA

#### SPECIFICATIONS

Model No.	CASD120PTW	CASD120NTW
Sensor	1/4" Sony Super HAD II CCD	
Color System	PAL	NTSC
Resolution	600 TVL (Color); 650TVL (B/W)	
S/N	50 dB (AGC Off)	
Zoom Ratio	12x Optical zoom, 32x Digital zoom	
Focal Length	f=3.8 (Wide) – 45.6 (Tele) mm	
Aperture Range	F1.6 (Wide) - F2.7 (Tele)	
Min Illumination	Color Mode: 0.5 lux, B/W: 0.2 luxColor DSS: 0.001 lux, B/W DSS: 0.0004 lux	
Day/Night	Auto Day & Night / TDN	
Focus	Auto / Manual / Semi-Auto	
Iris Adjustment	Auto / Manual	
Shutter Speed	Auto (x128 1/50 sec to 1/10,000 sec)	Auto (x128 1/60 sec to 1/10,000 sec)
WDR	Normal / High / Off	
AGC	Auto / Manual	
White Balance	Auto WB / Outdoor / Indoor/ One Push WB / Manual WB	
BLC	On/Off	
Flickerless	On/Off	
Brightness	Adjustable (0 - 96)	
Pan/Tilt Range	Horizontal: 360° (Endless) / Vertical: 90°	
Speed	Preset: 400°/secManual: 0 - 360°/sec (proportional to zoom ratio)	
Preset	127	
Auto Scan	8	
Pattern	4	
Group	8	
Privacy zone	8 zones programmable	
Other Functions	Auto Flip, Park Position, Power Up	
Alarm I/O	2-ch Input / 1-ch Output	
Communication	RS-485	
Protocol	Pelco-D, Pelco-P	
Protection Class	IP66 (outdoor models only)	
Input Voltage	12VDC/24VAC	
Power Consumption	Fan On: 10W; Heater On: 21W (Outdoor)	
Dimensions	Outdoor: 200 (D) x 346 (H)mmIndoor: 165 (D) x 157.5 (H)mm	
Weight	Outdoor: 2.5kg Indoor: 1.9kg	
Operation Temperature	-30°C to 50°C	
Operation Humidity	0% to 90% (Non-condensing)	
Certificate	CE, FCC, C-tick	

\*Honeywell reserves the right, without notification, to make changes in product design and/or specifications.

# Honeywell Black™

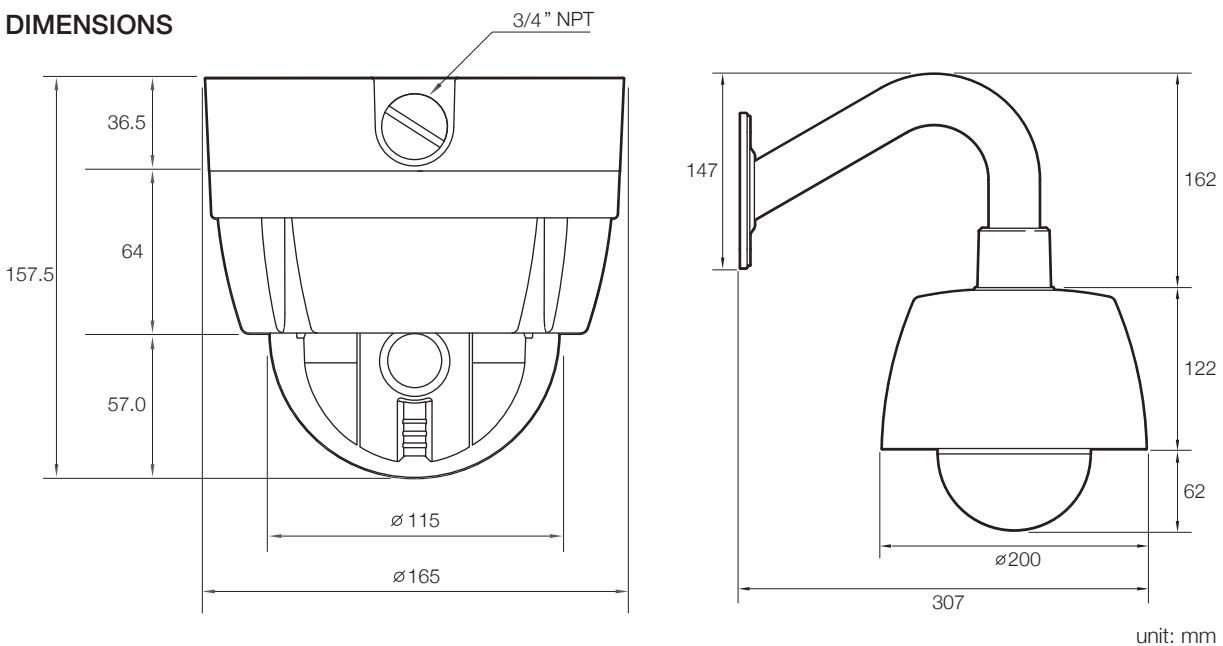
## CASD120P(N)TW

**Honeywell**

www.black.honeywell.com

### 12X HIGH RESOLUTION TDN WDR SPEED DOME CAMERA

#### DIMENSIONS



#### ORDERING

PAL	
CASD120PTW-OW	Outdoor wall bracket, 12x Optical zoom and 32x digital zoom, 0.5Lux (Color), 0.0004Lux (B/W DSS), TDN, Max.400°/Sec, Preset, Pattern, Group, Power up, IP66, 24 VAC/12V DC, PAL
CASD120PTW-OP	Outdoor pendant bracket, 12x Optical zoom and 32x digital zoom, 0.5Lux (Color), 0.0004Lux (B/W DSS), TDN, Max.400°/Sec, Preset, Pattern, Group, Power up, IP66, 24 VAC/12V DC, PAL
CASD120PTW-IW	Indoor wall bracket, 12x Optical zoom and 32x digital zoom, 0.5Lux (Color), 0.0004Lux (B/W DSS), TDN, Max.400°/Sec, Preset, Pattern, Group, Power up, 24 VAC/12V DC, PAL
CASD120PTW-IP	Indoor pendant bracket, 12x Optical zoom and 32x digital zoom, 0.5Lux (Color), 0.0004Lux (B/W DSS), TDN, Max.400°/Sec, Preset, Pattern, Group, Power up, 24 VAC/12V DC, PAL
CASD120PTW-IC	Indoor ceiling bracket, 12x Optical zoom and 32x digital zoom, 0.5Lux (Color), 0.0004Lux (B/W DSS), TDN, Max.400°/Sec, Preset, Pattern, Group, Power up, 24 VAC/12V DC, PAL
NTSC	
CASD120NTW-OW	Outdoor wall bracket, 12x Optical zoom and 32x digital zoom, 0.5Lux (Color), 0.0004Lux (B/W DSS), TDN, Max.400°/Sec, Preset, Pattern, Group, Power up, IP66, 24 VAC/12V DC, NTSC
CASD120NTW-OP	Outdoor pendant bracket, 12x Optical zoom and 32x digital zoom, 0.5Lux (Color), 0.0004Lux (B/W DSS), TDN, Max.400°/Sec, Preset, Pattern, Group, Power up, IP66, 24 VAC/12V DC, NTSC
CASD120NTW-IW	Indoor wall bracket, 12x Optical zoom and 32x digital zoom, 0.5Lux (Color), 0.0004Lux (B/W DSS), TDN, Max.400°/Sec, Preset, Pattern, Group, Power up, 24 VAC/12V DC, NTSC
CASD120NTW-IP	Indoor pendant bracket, 12x Optical zoom and 32x digital zoom, 0.5Lux (Color), 0.0004Lux (B/W DSS), TDN, Max.400°/Sec, Preset, Pattern, Group, Power up, 24 VAC/12V DC, NTSC
CASD120NTW-IC	Indoor ceiling bracket, 12x Optical zoom and 32x digital zoom, 0.5Lux (Color), 0.0004Lux (B/W DSS), TDN, Max.400°/Sec, Preset, Pattern, Group, Power up, 24 VAC/12V DC, NTSC

# Honeywell Black™

## CASD120P(N)TW

**Honeywell**

[www.black.honeywell.com](http://www.black.honeywell.com)

12X HIGH RESOLUTION TDN WDR SPEED DOME CAMERA

For more information:

Security East Asia  
Security Pacific  
Security India  
Security Middle East & N.Africa  
Security Russia  
Security China  
Security Korea

Tel: (852) 2405 2323  
Tel: 1300 234 234  
Tel: (91) 124 4975000  
Tel: (971) 4454 1704  
Tel: (7) 495 7979371  
Tel: (86) 400 8800 330  
Tel: (82) 2799 6114

[www.black.honeywell.com](http://www.black.honeywell.com)  
[security.black@honeywell.com](mailto:security.black@honeywell.com)

Honeywell Security Group  
Automation & Control Solutions  
Honeywell International Inc.  
[www.security.honeywell.com](http://www.security.honeywell.com)



July 2014  
© 2014 Honeywell International Inc.