

CASD280P(N)TI

28x IR High Speed Dome Camera

Honeywell Vista series CASD280P(N)TI 28x IR high speed dome camera delivers high resolution images at 550TVL, offering accurate color reproduction performance. With a IP66 rigid 6-inch alloy aluminium construction, this IR speed dome is ideal for surveillance in extreme environments.

Featuring high pan speed at 350° per second and 360° continuous rotation, the CASD280P(N)TI is capable to respond quickly to capture the emergency scene. The 28x zoom lens delivers a full picture of the area under surveillance in optimal width and depth.

The built-in superlative high-powered IR LED arrays are designed for surveillance in low illumination environments. With outstanding IR beam distance at 150 meters, the CASD280P(N)TI guarantees clear and sharp images to be captured even at long distance.

Market Opportunities

Honeywell Vista CASD280P(N)TI is a high quality surveillance solution at an economical price. With powerful IR LED arrays, long IR range, high speed rate and IP66 housing, the CASD280P(N)TI is ideal for different applications where intensity of illumination varies excessively, such as car parks, highways, hotels, restaurants, shopping malls, hospitals, residential areas, commercial buildings, education facilities and so on.

FEATURES

- 150m IR visible range
- High pan speed: 350°/sec
- 28x optical zoom; 12x digital zoom
- Self recognition of baud rate and control protocol
- Auto tracking for detected object in the preset zone
- 256 preset position, 4 programmable PTZ tours
- Video analysis light adjustment technology helps save 50% power consumption
- Optional wall mount or pendant mount
- PAL / NTSC



CASD280P(N)TI

www.black.honeywell.com

28x IR High Speed Dome Camera

SPECIFICATIONS

Model	CASD280P(N)TI
Image Sensor	1/4" EXview HAD CCD™ (Progressive Scan)
Signal System	PAL: CASD280PTI NTSC: CASD280NTI
Effective Pixels	PAL: 752(H) x 582(V) NTSC: 768(H) x 494(V)
Horizontal Resolution	Color 550 TVL; B/W 600TVL
S/N Ratio	50dB
Zoom	28x Optical 12x Digital
Focal Length	f=3.5 (Wide) - 98 (Tele) mm
Aperture Range	F1.35 (Wide) - 3.7 (Tele)
Min. Illumination	0.25 lux (F1.35, 50IRE, IR OFF) 0 lux (IR ON)
IR LED	9 IR LED arrays
IR Beam Distance	150m
IR LED Control	IR LED ON when less than 5 Lux
Day/Night	True Day/Night
Shutter Speed	1/3 to 1/10000 sec (20 section)
White Balance	AUTO / ATW / Indoor / Outdoor / One Push / Manual
BLC	On/Off
Rotation	Pan: 360° continuous rotation Tilt: -10° - 90° auto flip
Speed	High Speed: Pan: 0.01 - 350° / Tilt: 0.01 - 120°
Preset Position	256
Auto Scan	8 groups
Auto Cruise	8 groups
Pattern Tour	4 groups
Guard Position	Call preset, auto scan, cruise or pattern tours after no operation
3D Positioning	Pan/tilt and Zoom in/out via software interface
Timing Action	RTC clock design for timing events during the whole week
Protocol	Pelco-D/P
OSD Menu	English, Chinese
Rating	IP66
Input Voltage	DC12V±10% (Standard accessories)
Power Consumption	50W
Operation Temperature	-35-60°C, 95% (Non-condensing)
Weight	5.8kg
Certificate	CE, FCC

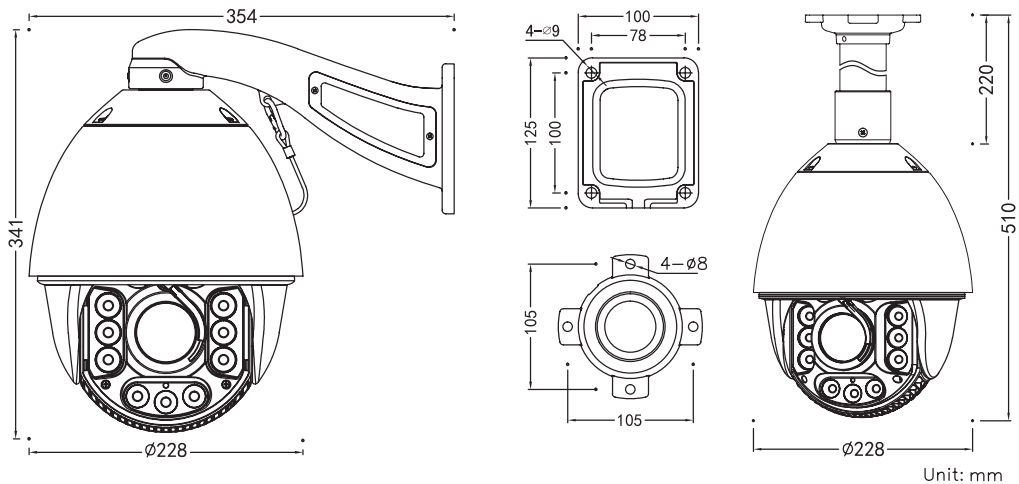
Note: Honeywell reserves the right, without notification, to make changes in product design or specifications.

CASD280P(N)TI

www.black.honeywell.com

28x IR High Speed Dome Camera

DIMENSIONS



ORDERING

CASD280PTI-OW	28x IR High Speed Dome camera. 550TVL, 150m IR beam distance. 350°/sec. TDN. DC12V. Wall mount. PAL
CASD280NTI-OW	28x IR High Speed Dome camera. 550TVL, 150m IR beam distance. 350°/sec. TDN. DC12V. Wall mount. NTSC
CASD280PTI-OP	28x IR High Speed Dome camera. 550TVL, 150m IR beam distance. 350°/sec. TDN. DC12V. Pendant mount. PAL
CASD280NTI-OP	28x IR High Speed Dome camera. 550TVL, 150m IR beam distance. 350°/sec. TDN. DC12V. Pendant mount. NTSC

CASD280P(N)TI

www.black.honeywell.com

28x IR High Speed Dome Camera

For more information:

Security Hong Kong
Security Australia National Sales Hotline
Security India

Tel: (852) 2405 2323
Tel: 1300 765 532
Tel: (91) 124 4975000

www.black.honeywell.com
security.black@honeywell.com

Honeywell Security Group
Automation & Control Solutions
Honeywell International Inc.
www.security.honeywell.com

Jan 2013
© 2013 Honeywell International Inc.

VISTA
Honeywell