

## CK-311

### COLUMN LOUDSPEAKER



#### FEATURES

- High quality sound and background music performance
- Ideal for environments where directivity is highly required
- Weather resistant to IP44
- Standard mounting racks
- Strong aluminum enclosure and iron grille
- Compliance with international safety standards

CK-311 is one of the multi-purpose column loudspeaker family featuring durability, attractive shape and easy installation. The super sound quality makes the speakers suitable for indoor applications where directivity is highly required. Typical examples are: hotels, airports, exhibition halls, factories, and theaters.

Column loudspeakers are subject to wall mounting with standard racks, which can be adjusted to different angles. Terminals on the back are convenient for user to choose different output power in various applications.

#### SPECIFICATIONS

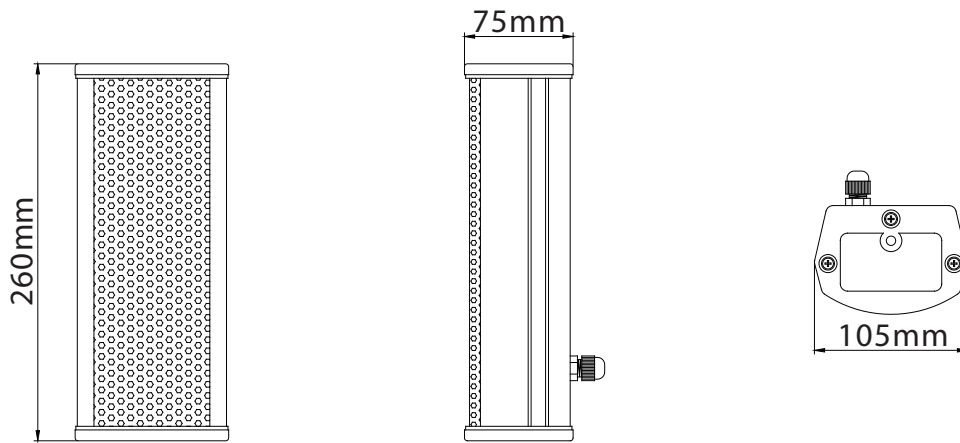
<b>Model</b>	<b>CS-311</b>
Max Power	15 W
Rated Power	10 W
Power taps @100V	10 W / 5 W
Power taps @70V	5 W / 2.5 W
Sensitivity	87 dB
Max sound pressure level (1 m)	97 dB
Frequency range (-10 dB)	180 Hz - 20 KHz
Vertical Dispersion	90°
Horizontal Dispersion	100°
Rated input voltage	70 V / 100 V
Rated impedance	1 K $\Omega$ / 2 K $\Omega$
Dimensions (W x H x D)	75 x 105 x 260 mm
Weight	1.2 kg
Color	White
Materials(enclosure and grille)	Aluminum and iron

#### ORDERING INFORMATION

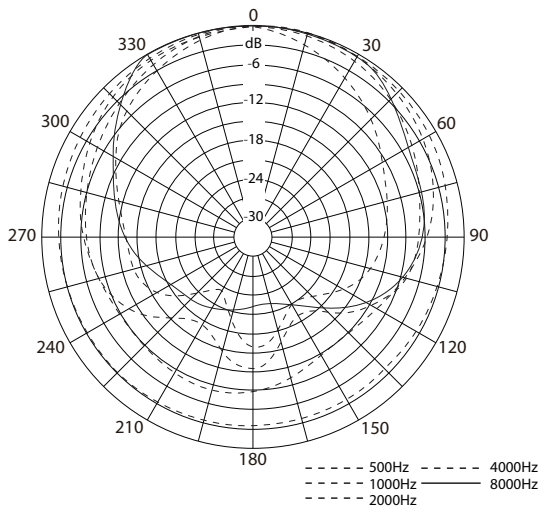
**CS-311**

10W, Metal Indoor Column Loudspeaker, White

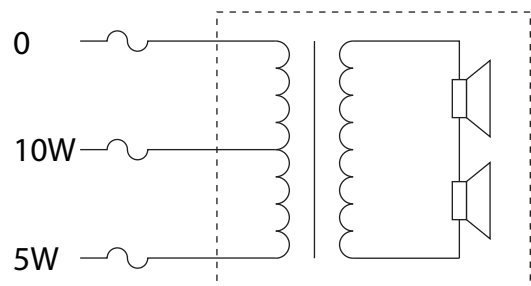
## Front and back views



## Direction Diagram



## Circuit Diagram



## Frequency Response at dBspl (20uPa)@1m, 40W/100V input, 1/3 oct smoothing)

