

# Ceiling Speaker

# CS-610

CS-610 is Korea standard ceiling speaker which is the most selling in Korea market with good design and high reliability. It have presented the standard of ceiling speaker for emergency broadcasting with the preventing dust, design, easy installation.



## FEATURES

- **6" Full-range speaker**
- **Power selection**  
Power selector by input cable.
- **High sound pressure level and wide frequency response**  
Satisfies international standard required for emergency broadcasting speakers. Possible to play a wider frequency range than 400Hz~4kHz.
- **Corrosion protection**  
Apply corrosion protection coating to enable installation and operation in humid environments.
- **Dust filter**  
Use a dust filter inside the grill to block dust ingress and maintain a clean grill.
- **Easy to installation**  
Easy to install in the way connecting the separate grill with the spring ring without the needs of additional tools.
- **Connection for power selection**

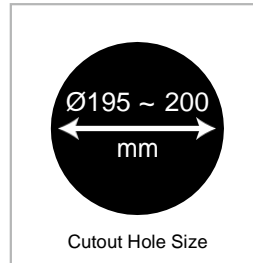
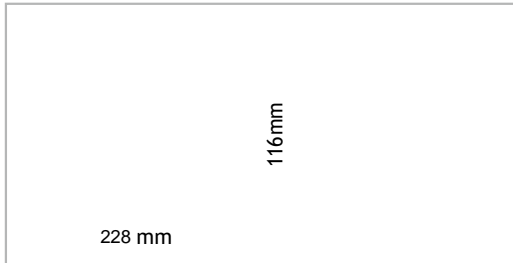


## SPECIFICATION

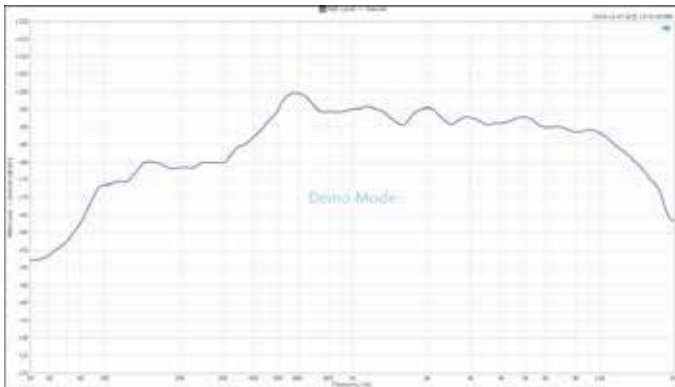
Model	CS-610	
Type	6.5" Full-range Ceiling Speaker	
Unit	6.5"	
Power Handling(AES)	10 W	
Input Power	100V	10/5/3W
	70V	-
Impedance	100V	1k/2k/3.3kΩ
	70V	-
	LOW	-
Power Selection	By Wiring	
Frequency Response (-10dB)	355Hz ~ 10kHz	
Sensitivity (1W/1m 300,400,500,600Hz avg.)	89dB	
Maximum SPL[Cont]	99dB	
Norminal Dispersion	-	
Input Connector	Bi-Wired	
Enclosure Material	HIPS(HB)	
Enclosure Color(Front)	Light Gray	
Grill Material	Metal Grill	
Grill Color	Light Gray	
Cut-Out Diameter(Ø, mm)	Ø195-200	
Weight (Net)	870g	
Dimensions (Ø(WxH) x D, mm)	Ø228 X 116	
Weather Resistant	-	
Flame resistant	-	
Certification	-	
Included Accessories	-	

## TECHNICAL DATA

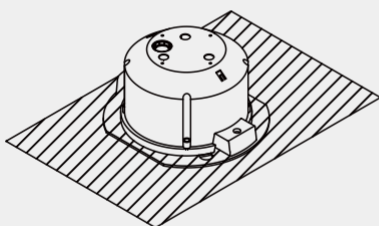
### DIMENSION



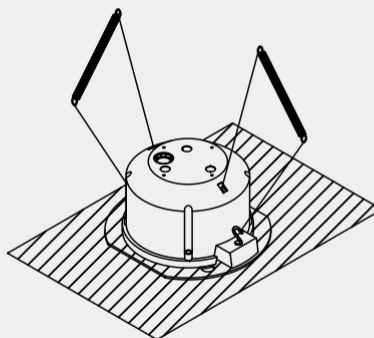
### FREQUENCY RANGE



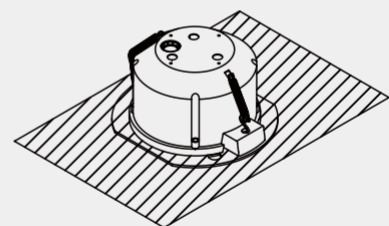
### SPEAKER INSTALLATION GUIDE



STEP 01



STEP 02



STEP 03