

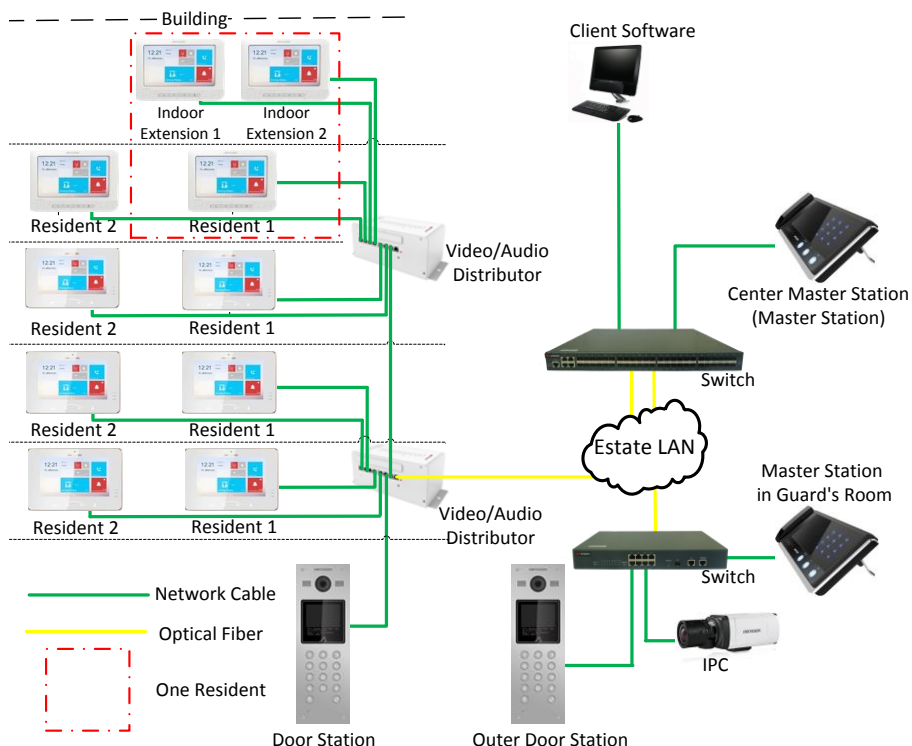
DS-KD6002-VM Video Intercom Metal Door Station

Key Features

- Video intercom function
- HD video surveillance
(Max. resolution 1280 x 720 @ 25 fps, WDR 120° wide angle)
- Self-adaptive light supplement
- Access control function: supports multiple door opening modes
(card, room No. + password, indoor station, and room No. + duress code)
- Auto-uploads the alarm message to the client or the master station after opening the door by entering the room No. and the duress code
- Issues cards via local station function
(This function will be invalid if the card has been activated via iVMS-4200)
- Auto-uploads captured pictures to FTP or client software while unlocking the door
- Door magnetic alarm and tamper alarm function
- Noise suppression and echo cancellation
- Remote upgrade, batch configuration, and upgrade via USB flash disk functions



Typical Application



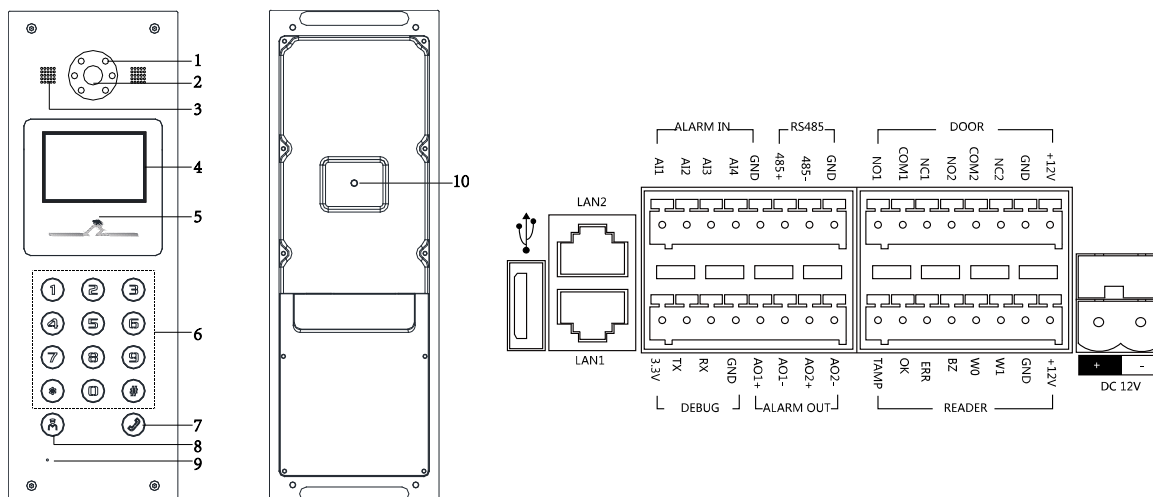
Specifications

Model		DS-KD6002-VM
System parameters	Processor	High-Performance Embedded SOC Processor
	Operation system	Embedded Linux Operation System
Video parameters	Camera	CMOS Low Illumination 1.3 MP HD Colorful Camera
	Video compression standard	H.264
	Resolution	1280 × 720
	Video frame rate	PAL: 25 fps, NTSC: 30 fps
Display parameters	Display screen	3.5-Inch Colorful TFT LCD
	Display resolution	480 × 320
	Operation method	Physical Touch Keypad
	Operation interface	LCD Display, Easy Menu
Audio parameters	Audio input	Built-in Omnidirectional Microphone
	Audio output	Built-in Loudspeaker
	Audio compression standard	G.711 U
	Audio compression rate	64 Kbps
	Audio quality	Noise Suppression and Echo Cancellation
Access control parameters	Internal card reader	Built-in IC Card Reader
	External card reader	Wiegand 26, Wiegand 34, or RS-485 IC Reader
	Door magnetic detection	Detect Door Magnetic Status
Light supplement	Light supplement mode	Visible Light Supplement
Network parameters	Ethernet	10/100 Mbps Self-Adaptive Ethernet
	Network protocol	TCP/IP, SNMP, SIP, RTSP
Alarm parameters	Alarm input	Door Magnetic Alarm, Tamper Alarm
Device interfaces	Network interface	1 RJ-45 10/100 Mbps Self-Adaptive Ethernet Interface
	RS-485	1 RS-485 Half-Duplex Port
	I/O input	4
	I/O output	4
	Wiegand	1 Wiegand Port for Accessing Wiegand IC Card Reader
	USB	1 USB 2.0, Supporting U-Disk
General	Material	Aluminum Alloy
	Power supply	12 VDC
	Power consumption	≤15 W
	Working temperature	-40° C to +70° C (-40° F to 158° F)
	Working humidity	10% to 90%
	IP protection level	IP65
	Dimensions (L × W × H)	357 mm × 124 mm × 55 mm (14.1" × 4.9" × 2.2")
Certification	FCC, IC, CE, C-TICK, ROHS, REACH, WEEE	

Available Model

DS-KD6002-VM

Appearance and Interfaces



Index	Description	Index	Description
1	Low Illumination Supplement Light	6	Numeric Key
2	Built-in Camera	7	Calling Key
3	Loudspeaker	8	Calling Center Key
4	LCD Display Screen	9	Microphone
5	Card Induction Area	10	TAMPER

Distributed by

Headquarters

No.555 Qianmo Road, Binjiang District,
Hangzhou 310051, China
T +86-571-8807-5998
overseasbusiness@hikvision.com

Hikvision USA
T +1-909-895-0400
sales.usa@hikvision.com

Hikvision Europe
T +31-23-5542770
saleseuro@hikvision.com

Hikvision Middle East
T +971-4-8816086
salesme@hikvision.com

Hikvision Russia
T +7-495-669-67-99
saleru@hikvision.com

Hikvision India
T +91-22-28469900
sales@pramahikvision.com

Hikvision Italy
T +39-0438-6902
info.it@hikvision.com

Hikvision France
T +33(0)1-85-330-444
info.fr@hikvision.com

Hikvision Spain
T +34-91-737-16-55
info.es@hikvision.com

Hikvision Poland
T +48-22-460-01-50
poland@hikvision.com

Hikvision UK
T +44-1628-9021-4
support.uk@hikvision.com

Hikvision Singapore
T +65-6684-4718
sg@hikvision.com

Hikvision Oceania
T +61-2-8599-4233
salesau@hikvision.com

Hikvision Hong Kong
T +852-2151-1761

Hikvision Canada
T +1-909-895-0400
sales.usa@hikvision.com