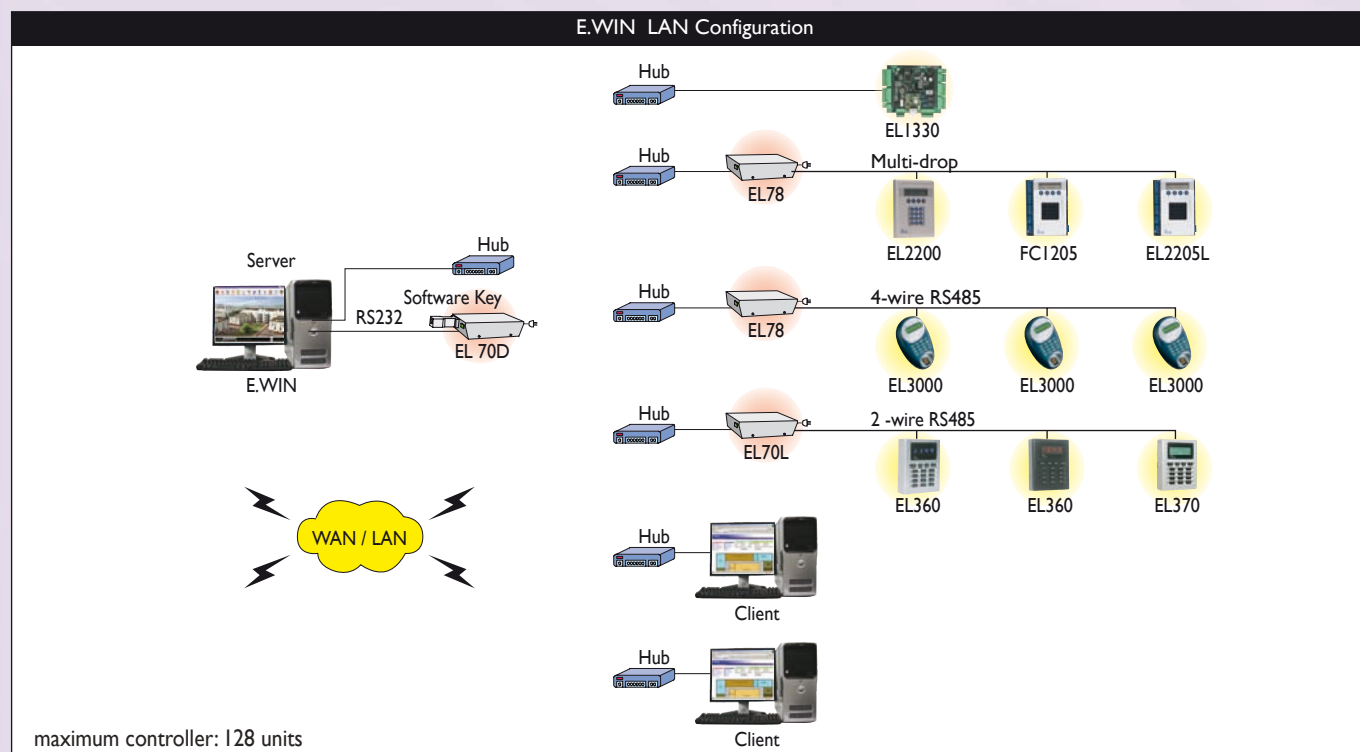
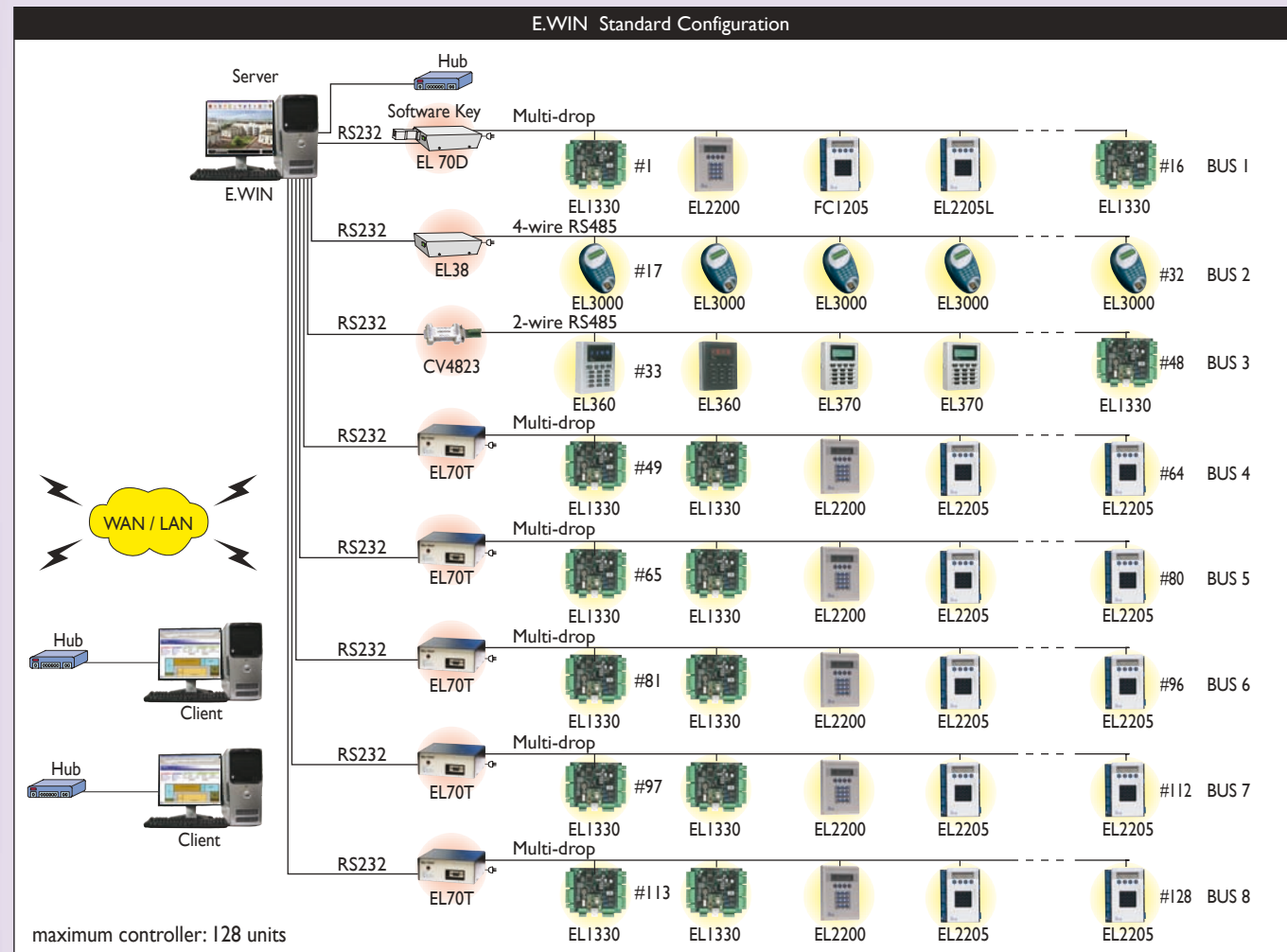


# SYSTEM CONFIGURATION



# E.WIN

## Access Management System

Your Versatile Access Management System with an Impact!



For more information: check out the website at [www.elid.com](http://www.elid.com), or contact our dealers. ELID has a policy of continuous research and development, and reserves the right to change specifications without notice.

[www.elid.com](http://www.elid.com)

We make YOUR world secure



## E.WIN - Access Management System

E.WIN is a windows' based access management software that provides graphical user interface for data entry and information retrieval thus offering an easy way to manage security of up to 128 doors. It is ideally designed with vast options and capabilities commonly required for a medium sized organization. E.WIN can be recognized easily as a key solution for security risks, enabling users with a peace of mind for a cost effective, robust and easily upgradeable system.

### FEATURES

#### Access Security

The system enforces access security on all operations. This feature prevents unauthorized usage of the system. There are 16 access right levels which can be assigned to the operator. Each of these levels defines the ability of the operator to access information, print reports and issue system commands. Operator activities can be retrieved for report generation by an authorized user.

#### Real Time Activity Monitoring

Activities occurring at the controllers are reported immediately and displayed on the On-line Monitoring Screen. These activities can also be redirected to a printer connected to the PC. On occurrence of an alarm or abnormal transaction, the operator is immediately alerted by the audio alarm as well as the highlighted display.

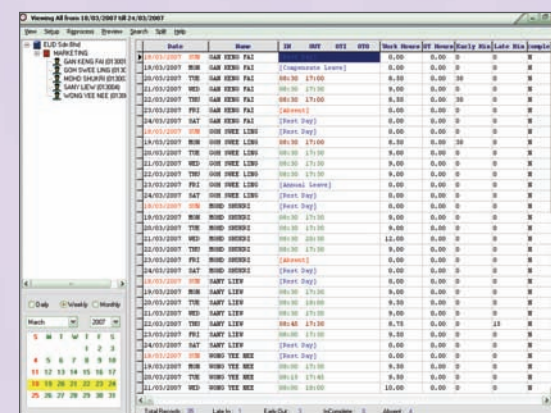
#### Time Attendance Management

The functions of basic time attendance are incorporated into the software by deriving from the door access transactions. In other words, attendance is automatically checked and recorded alongside access rights by means of a single acknowledgement even though the staff may not know that they are swiping for attendance.

The built-in single-shift time management software (OnTime) is straightforward for small scale offices. Multiple-shift module (optional software package) is targeted for factory environment (E.Time or OnTime Plus).

#### Car Park Management

E.WIN provides "Car Counting" facility whereby every car that enters and leaves the parking lot can be tracked easily.



#### Audit Trail Report

Comprehensive audit trail reports of "who, when, and what events/actions" can be generated in accordance to an administrator's request, for frequent or periodical audits.

#### Alarm Processing

E.WIN provides basic alarm processing in three stages:- Acknowledge, Disarm and Arm.

#### Tiny Web Server

The E.WIN provides a built-in tiny web server enabling the E.WIN information to be accessed through the standard web browsers such as Internet Explorer, Opera or Firefox. In other words, administrator is allowed to access the E.WIN anywhere at anytime easily.

#### Modem Support

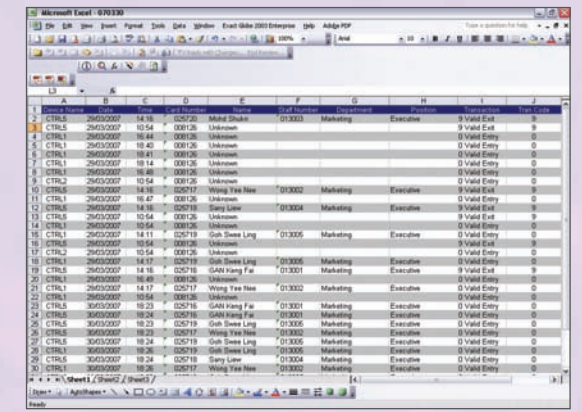
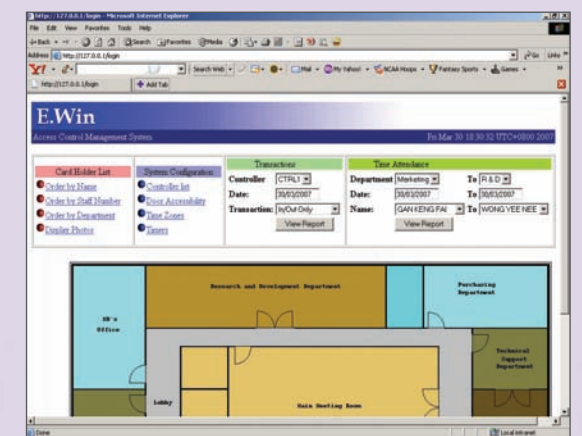
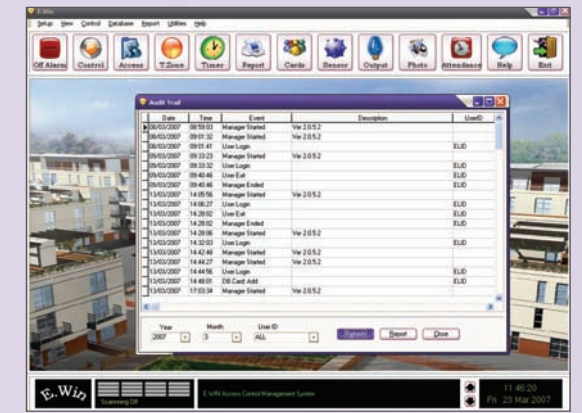
The Modem communication module supports Hayes compatible dial-up and leased line modems. In dial-up mode, transactions from the controllers at remote sites are polled automatically based on predefined period.

#### LAN Support

The entire security system can be managed over the TCP/IP network by simply plugging them into your PC.

#### Data Export

Administrator can export the attendance records or transaction records into text/Excel format which can be used for integration with third party software.



### SYSTEM REQUIREMENTS

Computer:	Pentium IV or higher
Operation System:	Microsoft Windows 2000/XP or higher
RAM:	Minimum 128MB
Hard Disk Space:	30MB (Installation), 100MB (Operation)
Display:	Super VGA Monitor with 1 M SVGA interface board
Communication Interface:	One RS232 serial port (com 1 or com 2)
Display:	800 x 600 or better.