



EL363

Compact Controller with reader

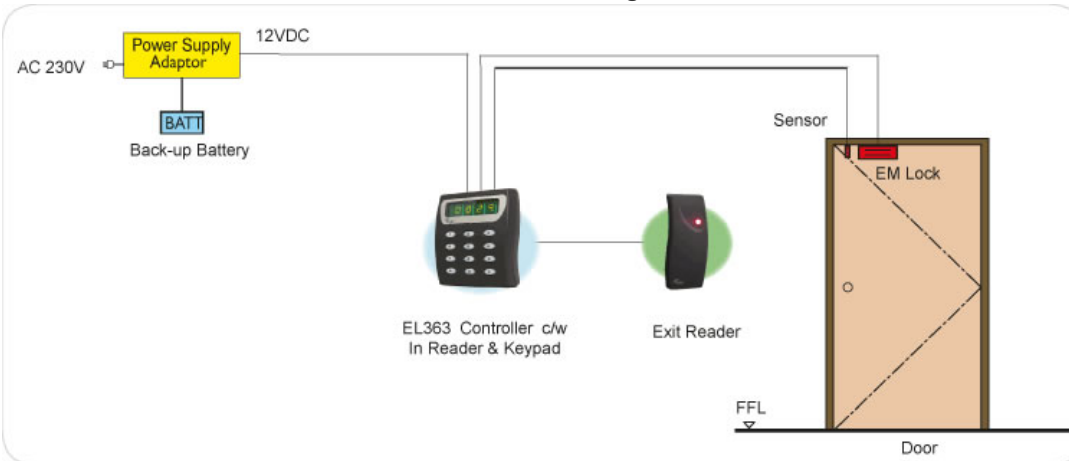


EL363 is a single door access controller comprising access controller, card reader and keypad.

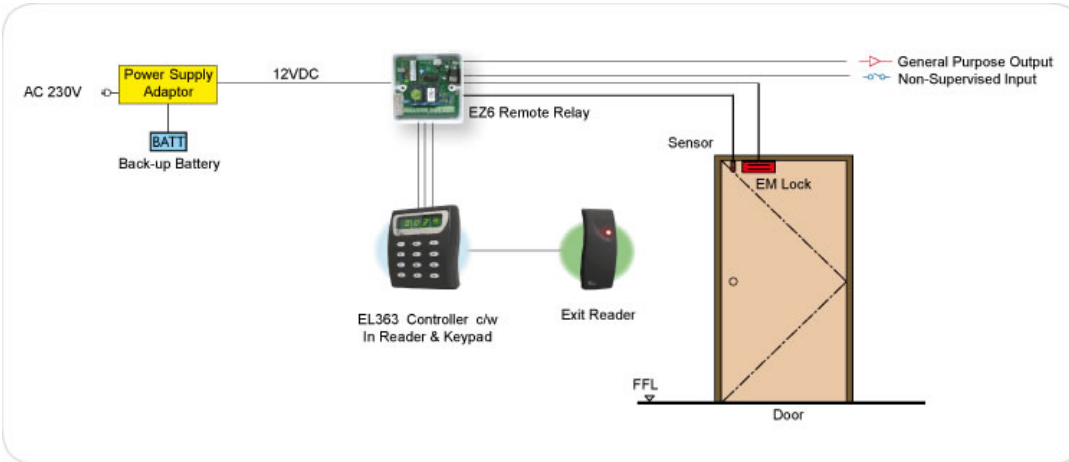
- Built-in with EM/Mifare reading module
- Bright LED 7-segment display and 16-key keypad
- Simple mounting
- Up to 2,000 card users and 1,000 offline transactions
- Separate I/O relay (EZ5) – high security
- 24 timers and 10 time zones
- Card, Card + PIN, PIN
- Flash memory allows easy upgrade
- Communication Interface: RS485

Specification Configuration Ordering Information

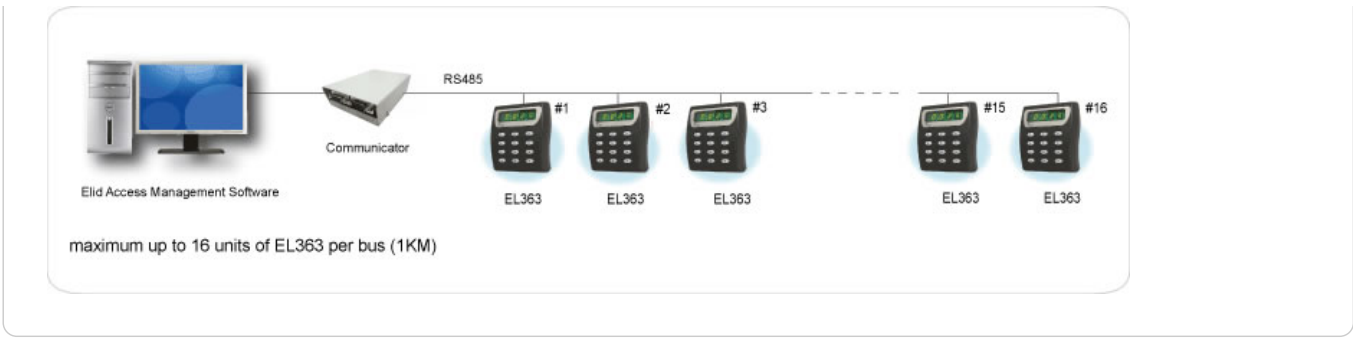
EL363 Standalone Configuration



EL363 Secure Mode Standalone Configuration



EL363 System Configuration



[Back to Door Access System >](#)

[Back to Access Control Solution >](#)

[About Us](#)
[Company Profile](#)
[Mission and Vision](#)
[History](#)
[Why Elid](#)
[Press Room](#)

[Product](#)
[Access Control System](#)
[Time Management System](#)
[Visitor Management System](#)
[Integrated Security System](#)
[Mirage Smart Security System](#)

[Access Control Solution](#)
[Door Access Control System](#)
[Lift Access Control System](#)
[Barrier Access System](#)
[Fingerprint Access System](#)

[Reference Sites](#)
[Technical Support](#)
[Product Repair Section](#)
[Service](#)

[Elid Sales Offices](#)
[Associate Companies](#)
[Distribution Network](#)
[Elid China](#)
[Elid India](#)

[Contact Us](#)
[Career](#)