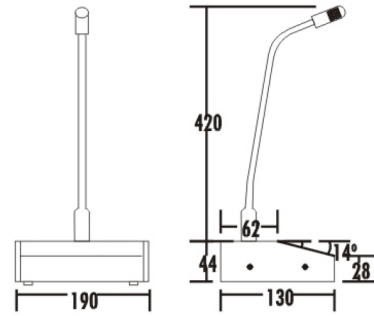


H-33



Rear Panel



Specifications

Model	H-33
Capsule Type	Condenser
Polar Pattern	Cardioid
Frequency Response	40-16000Hz
Mic Sensitivity	-43 ± 2dB
Prelude Sensitivity	-50dB ± 2dB
Power Supply	DC9V/AC12V
Distance	10m