

Call Points

HM-MCP-GLASS

The call point is an addressable break glass manual call point which has a simple rotary decade switch at the rear of the unit for addressing.

A specialist test key may be inserted into the bottom of the unit to lower the glass and release the micro-switch and thus a full functional test is achieved.

The HM-MCP-GLASS Call Point is designed to provide a manual alarm interface to Morley IAS's fire alarm control panel.

Installation efficiency, compliance with the latest standards are at the heart of the call point range



HM-MCP-GLASS

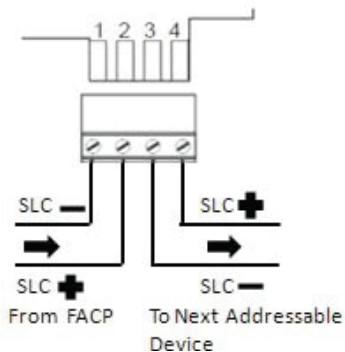
LED Status

The LED status is controlled by fire panel and shows blinking RED each time the device is polled, or continuous RED to indicate fire.

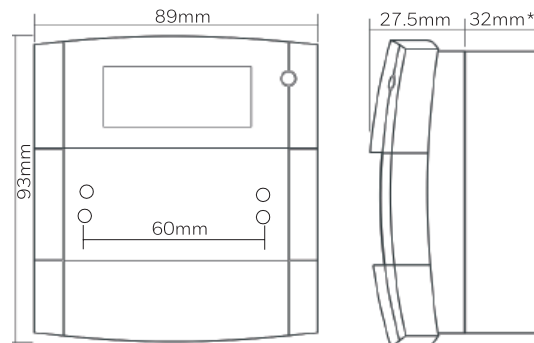
FEATURES & BENEFITS

- Unique 'Plug & Play' installation concept
- Analogue addressable communications
- Fully compliant with EN54, Part 11
- Integral LED

CONNECTION DETAILS



DIMENSIONS



* Mounting box dimension.

HM-MCP-GLASS Specifications

MECHANICAL		ELECTRICAL	
Dimensions	Semi-flush mounting: 89 x 93 x 27.5 (WxHxD) Surface mounting : 89 x 93 x 59.5 (WxHxD)	Operating Voltage	15V to 32Vdc max
Weight	110g	Current Consumption	Quiescent (without isolator) 385µA Alarm Current: 7.8 mA
IP Rating	IP24D		
Operating Temperature	0°C to 49°C		
Relative Humidity:	10% - 93% non-condensing		

PART NUMBERS

MANUAL CALL POINT	PRODUCT DESCRIPTION
HM/MCP/GLASS	Addressable break glass manual call point

OPTIONAL ACCESSORIES

PART CODE	DESCRIPTION
PS230	Pack of ten resettable elements
MUS041W	Manual call point back box
MUS156	Pack of ten glass elements
SC070	Pack of 10 test keys

For more information, please contact

Email: hsf.comms@honeywell.com

Partner Connect Portal:

www.partnerconnect.honeywell.com

Honeywell Security and Fire (APAC and ASEAN)

Honeywell International Sdn Bhd
1st Floor, Block B No. 10,
Jalan Bersatu 13/4
46200 Petaling Jaya
Tel: +603 7626 5700

Honeywell Security and Fire (India)

Honeywell Security & Fire
Unitech Trade Centre, 5th Floor,
Sector – 43, Block C, Sushant Lok Phase – 1,
Gurgaon – 122002, Haryana, India
Tel: +91 124 4975000

Honeywell Security and Fire (Korea)

Honeywell Co Ltd (Korea)
5th Floor, Sangam IT Tower,
434 Worldcupbuk-ro, Mapo-gu,
Seoul Korea
Tel: 82-2-799-6114

Honeywell Security & Fire (Pacific)

Honeywell Ltd
Honeywell Security & Fire
Unit 5, 24-28 River Rd West
Parramatta NSW 2250
Tel: 1300 234 234

Honeywell Security & Fire (Pacific)

Honeywell Ltd
9 Columbia Way
Norwest Business Park
BAULKHAM HILLS NSW 2153
Tel: (02) 9899 4155