

K1400-K2200

IRREVERSIBLE OPERATOR
FOR RESIDENTIAL SLIDING GATES



- Equipped with built-in pc board, radio receiver, gradual start, electronic adjustment of the force, soft-stop in approaching and electronic brake (as standard features).
- All the K operators allow slow-down of the gate when approaching, giving the travel a greater impression of safety and fluidity.
- Release with personalized key or allen key.
- L1-CRX: Pedestrian opening command. Photocells autotest as required by EN12453. Built-in heating system with ACG4665 to withstand -30 °C.
- The K operators are now also available with a magnetic limit switch system for the same price of the electromechanical version.



FOR SLIDING GATES WEIGHING UP TO 1400 kg

AA31140	K1400 FCE	complete with L1-CRX pc board, electro-mechanical limit switches
AA31142	K1400 FCM	complete with L1-CRX pc board, magnetic limit switches



AD31140	KIT K1400 FCE	(up to 1400 kg)
AD31142	KIT K1400 FCM	(up to 1400 kg)



FOR SLIDING GATES WEIGHING UP TO 2200 kg

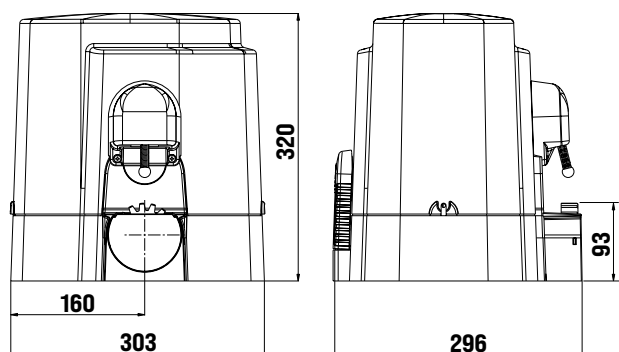
AA31150	K2200 FCE	complete with L1-CRX pc board, electro-mechanical limit switches
AA31152	K2200 FCM	complete with L1-CRX pc board, magnetic limit switches



AD31150	KIT K2200 FCE	(up to 2200 kg)
AD31152	KIT K2200 FCM	(up to 2200 kg)



GAR0012	Warranty extension 4 years for K1400 and K2200
GAR0013	Warranty extension 7 years for K1400 and K2200



Dimensions in mm

TECHNICAL DATA		K1400	K2200
Max. gate weight	Kg	1400	2200
Operating speed	m/s	0,16	
Max. thrust force	N	790	1150
Max torque	Nm	27	39
Power supply	V	230	
Power absorbed	A	1,18	1,1
Rack module		4	
Actuator weight	Kg	15	16
Protection grade	IP	44	
Operating temperature	°C	-10 ÷ +55	
Daily cycles suggested		400	500
Service	%	70	
Nr of consecutive cycles guaranteed		15/10m	15/10m

ACCESSORIES FOR K1400-2200



ACG4665 PROBE
for K-CRX 2007 and L1-CRX to keep the motor warm (for prompt start at low temperatures)



ACG5460 SET PLUS
Encoder to detect obstacles during opening and closing operations.



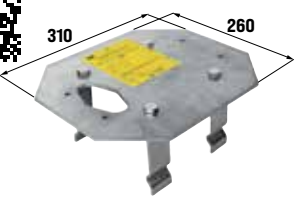
135



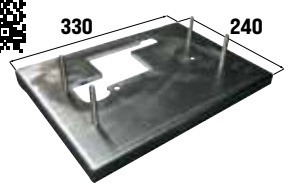
ACG8081 Cards for the synchronization of commands and safety devices of 2 K operating together - Synchronization can only be activated with RIB GATE App



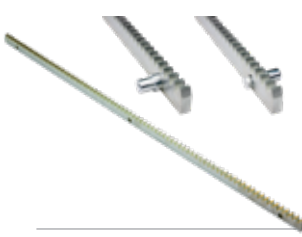
ACG8672 RELEASE LOCK WITH ALLEN KEY



ACG8107 BASE PLATE
for K800-1400-2200



ACG8118 BASE PLATE
adapter CAME BX for K1400-K2200



ACS9021 Module 4 Galvanised STEEL RACK (sect. 30 x 12 mm) (up to 2.000 kg) with fixing bolts in packs of 4 bars of 1 m
per m



ACS9020 Module 4 STEEL RACK to be treated (sect. 22 x 22 mm) (up to 4000 kg)
in 2 m bars per m



ACS9040 Module 4 STEEL RACK to be treated (sect. 22 x 22 mm) with right-angle member 45x30mm (up to 4000 kg)
in 2 m bars per m



ACS9050 Module 4 STEEL RACK (sect. 22 x 22 mm) with CATAPHORESIS treatment, right-angle member 45x30mm (up to 4000 kg)
in 2 m bars per m



K-FCE



K-FCM



KIT K1400-2200
See page 107

starting from