

## L-PCM06B Ceiling Loudspeaker

### FEATURES

- Clear and stereo audio performance
- Cone edge with damp glue for longer operation life
- Sturdy press fit metal grille appearance
- Simple power setting
- Flush-mounting system for fast and easy installation
- CE and RoHS compliant



### PRODUCT DESCRIPTION

L-PCM06B is a cost-competitive ceiling loudspeaker which has an excellent audio performance and aesthetic appealing enclosure. Its low-profile, white color design blends easily most interiors in locations such as hotels, warehouses, schools, office buildings, stadiums and restaurants.

This full rang loudspeaker features a

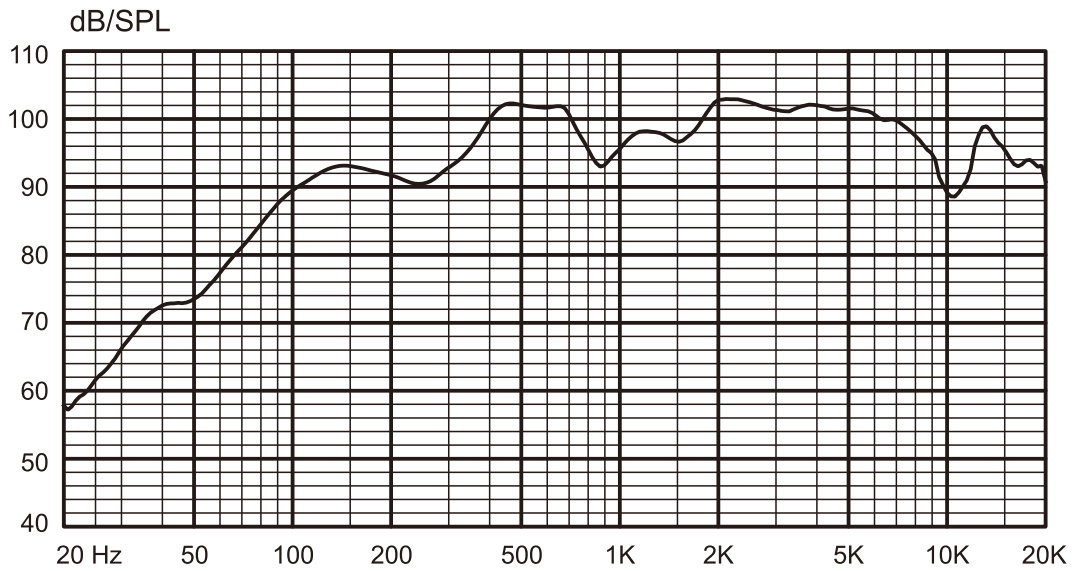
high sound pressure level and a wide frequency response range. It has a built-in 6W integrative-cone speaker and a 100V matching transformer mounted back dome, Supplied with a metal back dome, the components inside are well protected in case of emergency.

It is CE and RoHS compliant.

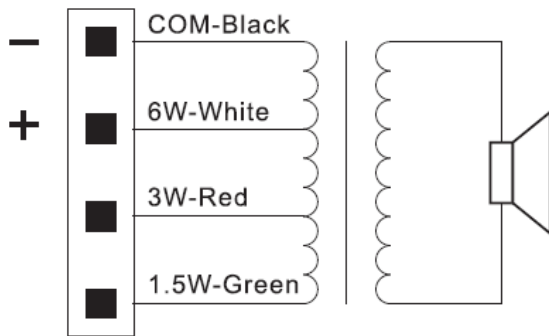
### TECHNICAL SPECIFICATIONS

Model	L-PCM06B
Max power	9 W
Rated power	6 W
Power taps @ 100 V	6 W / 3W
SPL at 6W / 1W ( 4 KHz, 1m)	102 dB / 94 dB
Frequency response ( - 10 dB )	110 Hz - 18 KHz
Dispersion angle ( 1 KHz / -6 dB )	180°
Rated input voltage	100 V / 70 V
Rated impedance	1.7 KΩ / 3.3 KΩ
Connector	Push-in terminal block
Dimensions ( Φ × H )	Φ 200 × 100 mm
Hole cut-out size	Φ 175 mm
Weight	1.08 Kg
Color	White (RAL 9003)
Speaker size	6.5"
Operating temperature	-25 °C to + 55 °C
Storage temperature	-40 °C to + 70 °C
Relative humidity	< 95 %

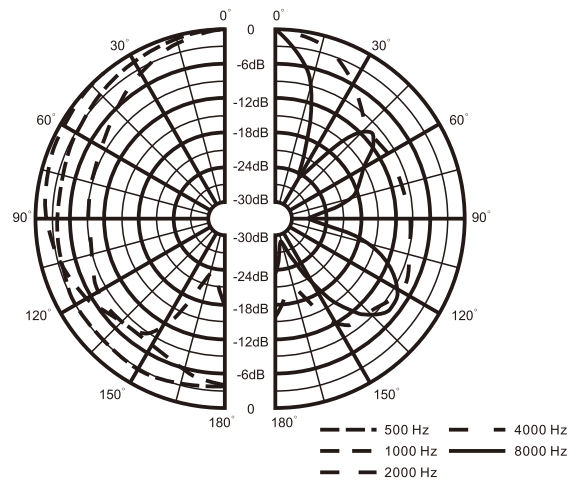
## FREQUENCY RESPONSE



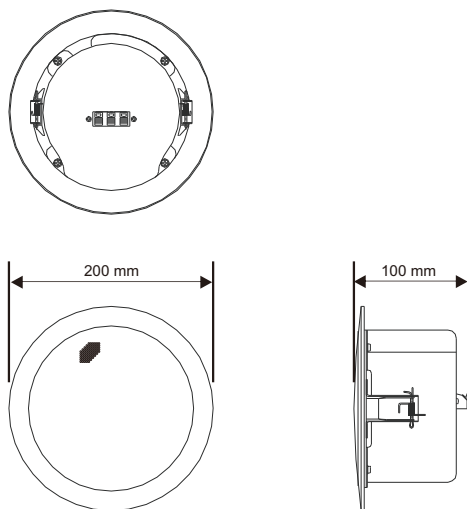
## CIRCUIT DIAGRAM



## POLAR DIAGRAM



## THREE-VIEW DIAGRAM



## Honeywell Audiovisuals

No. 257, Junye Road  
 Guangzhou GETDD East  
 510530 China  
 Tel: +86 20 2839 9600  
 Fax: +86 20 2820 8706  
 www.honeywellav.com

1020903003\_EN2.3  
 July 2012  
 © 2012 Honeywell International Inc.

**Honeywell**