

L-PHP30A Horn Loudspeaker

FEATURES

- High impact fire resistant ABS material
- Lower maintenance cost
- Rust and chemical resistant
- Water and dust protected to IP 66
- CE and RoHS compliant



PRODUCT DESCRIPTION

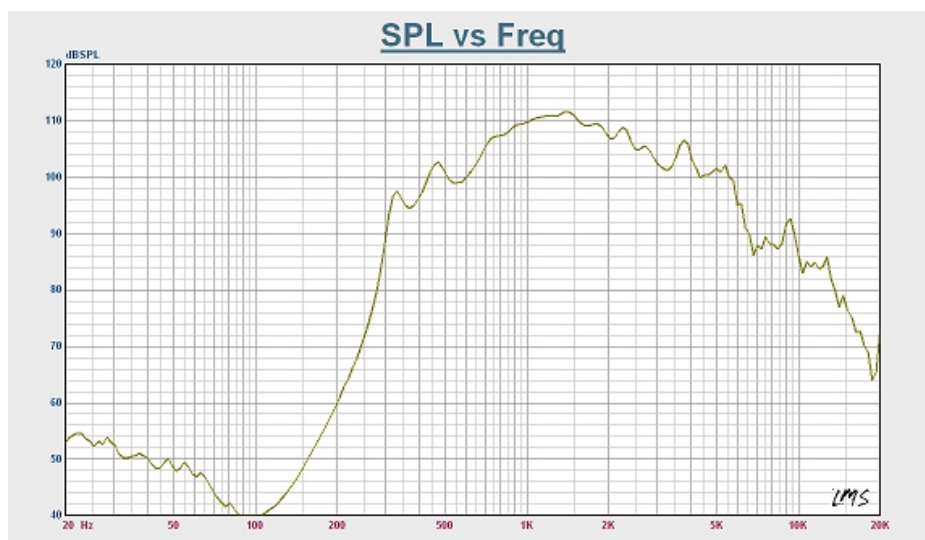
L-PHP30A is a 30W full-range horn loudspeaker designed for high power handling and reliability. Taps on the primary winding allow different power settings. Housing is made of sturdy ABS fire resistant material with high strength and low weight. With its the aesthetical and stylish design, it can be installed in various applications such as train

stations, harbors, plazas, police stations, government administrations, tourist destinations, educational institutes, transport hubs, and office buildings. The horn is attached with strong and adjustable mounting brackets which help to accurately direct the sound beam. The loudspeaker is CE and RoHS compliant.

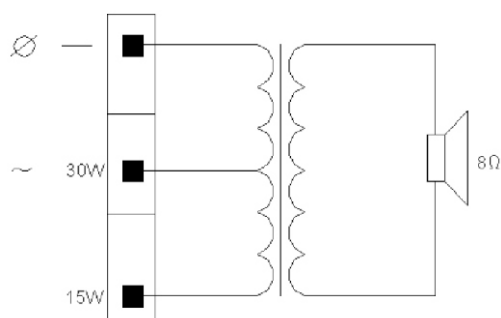
TECHNICAL SPECIFICATIONS

Model	L-PHP30A
Max power	45 W
Rated power	30 W
Power taps @ 100V	30 W / 15 W
Power taps @ 70V	15 W / 7.5 W
SPL at 30W / 1W (4k Hz, 1m)	117 dB / 105 dB
Frequency response (-10 dB)	250 Hz - 10k Hz
Dispersion angle (1k Hz / -6 dB)	140°
Rated input voltage	100 V / 70 V
Rated impedance	333 Ω / 667 Ω
Connector	Flexible wire
Dimensions (W × H × D)	285 × 205 × 290 mm
Weight	2.1 kg
Color	White (RAL9010)
Material	ABS

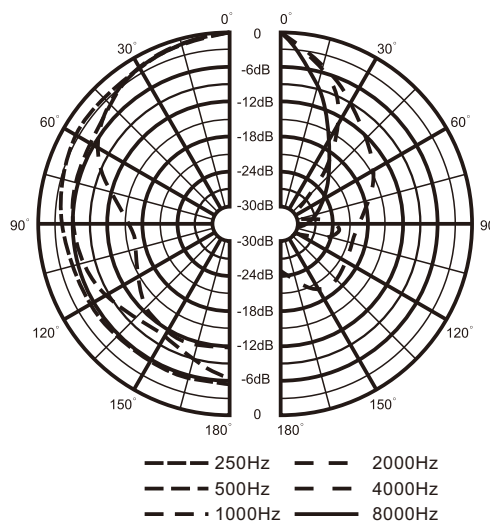
FREQUENCY RESPONSE



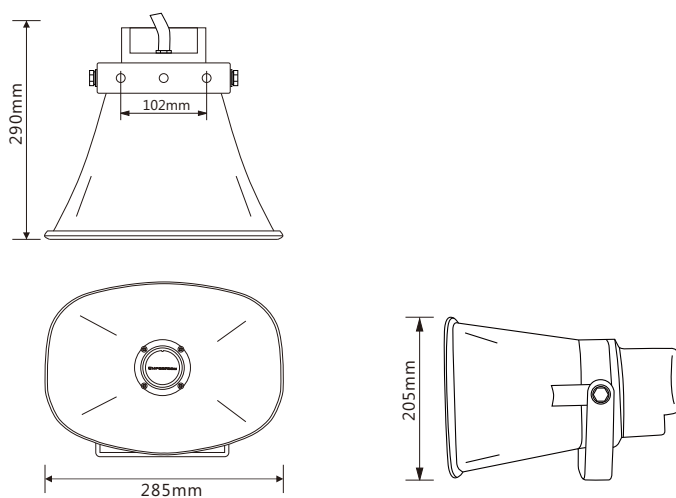
CIRCUIT DIAGRAM



POLAR DIAGRAM



THREE-VIEW DIAGRAM



Honeywell Audiovisuals

No. 257, Junye Road
 Guangzhou GETDD East
 510530 China
 Tel: +86 20 2839 9600
 Fax: +86 20 2820 8706
 www.honeywellav.com

2100040621_EN2.1
 Nov 2012
 © 2012 Honeywell International Inc.

Honeywell