

# BASIC



## Series MEX

Basic electromagnetic locks are the perfect locking solution for **emergency doors** and access control systems. In case of power failure, all doors will automatically open, making it safe for the occupants to exit.

They are available for mortise and rim installations with a wide range of brackets allowing an easy installation on any kind of doors and door frames.

Moreover, our vandal protection system secures the electromagnetic lock against tampering, theft or removal.

Our MEX 70 is especially designed for small applications such as closets, cabinets, showcases, drawers and lockers.

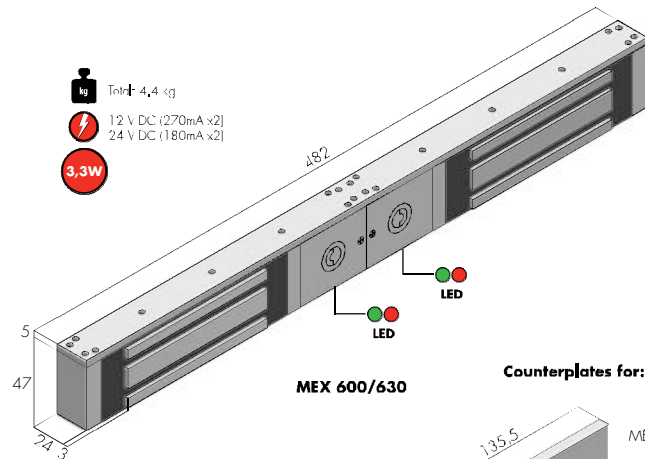
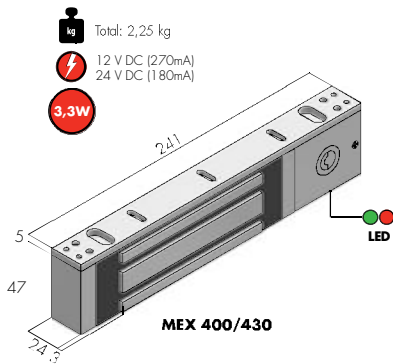
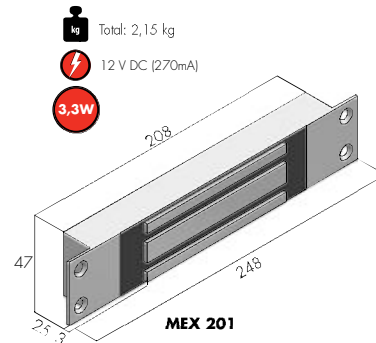
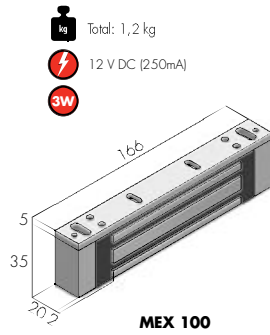
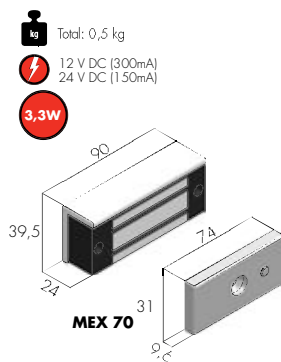
## Technical features

- Dual voltage 12/24V dc  
12V dc for MEX 100 and MEX 201 models
- Reed + LED monitoring (open/closed)
- Low power consumption
- Electronic protection
- Vandal Protection
- Timer (5 to 30 seconds)
- Guaranteed 3 years

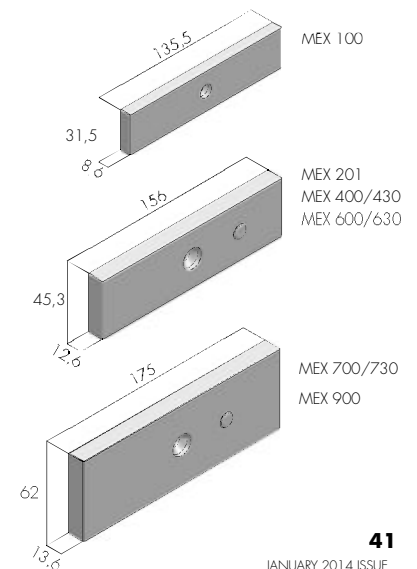
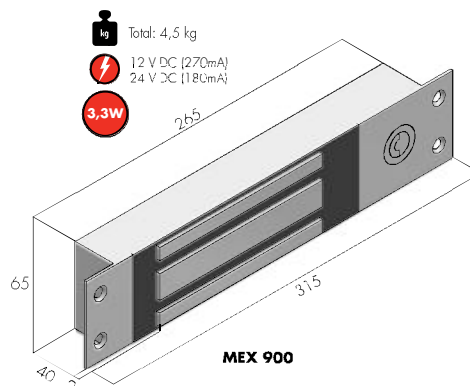
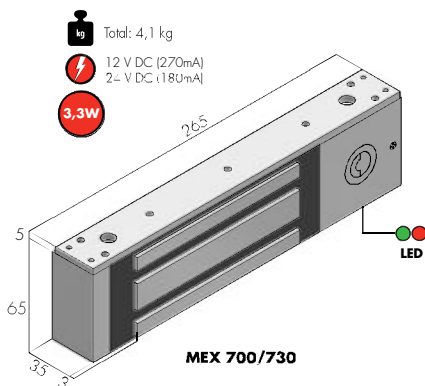
## References and features

Holding force	12 Vdc	12/24 Vdc (manual)	12/24 Vdc (automatic)	Mortise	Rim	Monitoring	LED	L	Z	U	Mounting kit for FR fire doors		References
								Outward opening doors	Inward opening doors	Glass doors	MRF 810	MRF 820	
500 N		●			●	●			MBAX 70	MHAX 70			MEX 70
1.800 N	●				●			MBEX 180	MBAX 180	MHAX 180			MEX 100
3.000 N	●			●									MEX 201
3.000 N			●		●			MBEX 300	MBAX 300	MHAX 300	●		MEX 400
3.000 N			●		●	●	●	MBEX 300	MBAX 300	MHAX 300	●		MEX 430
3.000 N x2			●		●			MBEX 300*	MBAX 300*	MHAX 300*	●		MEX 600
3.000 N x2			●		●	●	●	MBEX 300*	MBAX 300*	MHAX 300*	●		MEX 630
6.500 N			●		●			MBEX 600	MBAX 600			●	MEX 700
6.500 N			●		●	●	●	MBEX 600	MBAX 600			●	MEX 730
6.500 N			●	●	●								MEX 900

\* Remember to order one unit for each electromagnetic lock!



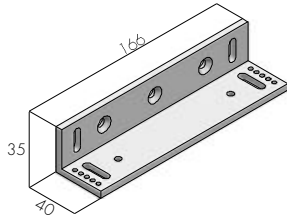
Counterplates for:



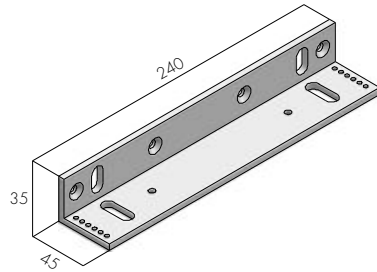
# BRACKETS FOR BASIC ELECTROMAGNETIC LOCKS

## L For outward opening doors.

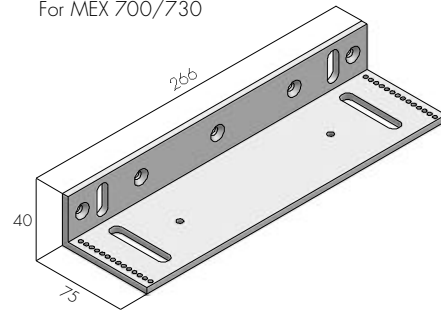
**MBEX 180**  
For MEX 100



**MBEX 300**  
For MEX 400/430/600\*/630\*

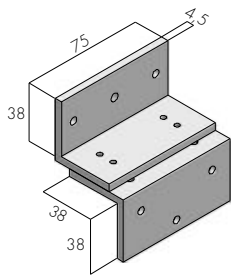


**MBEX 600**  
For MEX 700/730

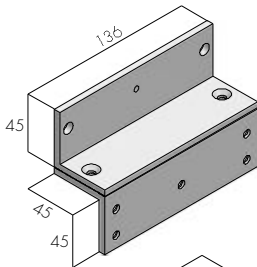


## Z For inward opening doors.

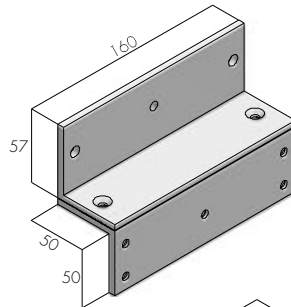
**MBAX 70**  
For MEX 70



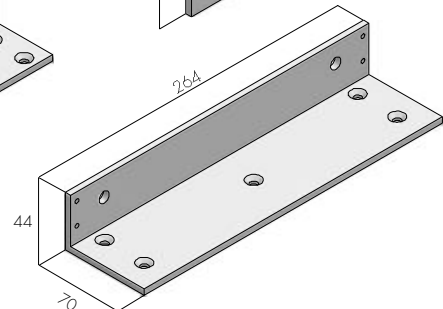
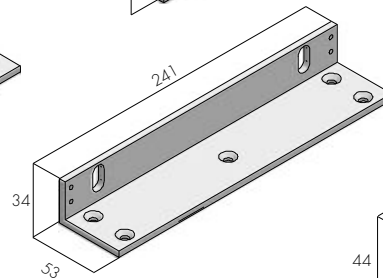
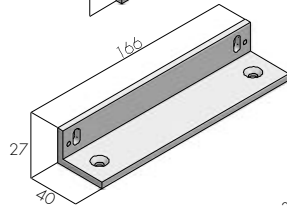
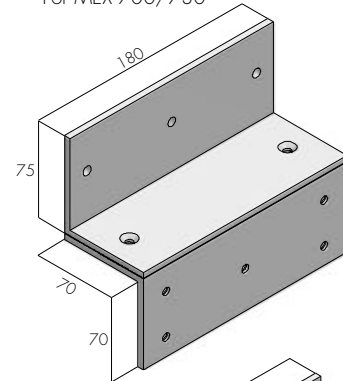
**MBAX 180** (3 units)  
For MEX 100



**MBAX 300** (3 units)  
For MEX 400/430/600\*/630\*

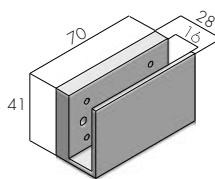


**MBAX 600** (3 units)  
For MEX 700/730

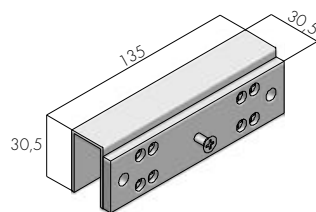


## U For glass doors.

**MHAX 70**  
For MEX 70

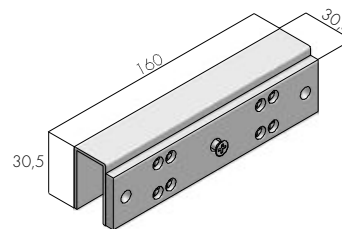


**MHAX 180**  
For MEX 100



Max. glass thickness: 12 mm

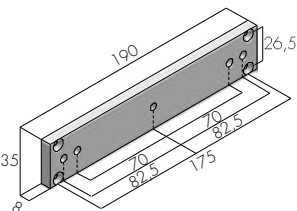
**MHAX 300**  
For MEX 400/430/600\*/630\*



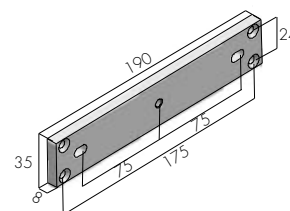
Max. glass thickness: 16 mm

## Mounting kit for fire doors

**MRF 810**  
For MEX 400/430/600\*/630\*



**MRF 820**  
For MEX 700/730



\*Remember to order one unit for each electromagnetic lock