

MIXING POWER AMPLIFIER

MOBILE-35/60



FEATURES

- Optional module slot (TP-100RDS, DMT-100)
- Easy-to-use amplifier for both mobile and fixed installation.
- balanced microphone inputs.
- Low & high pass tone control to increase intelligibility.
- Tel input terminal for tel night ringer.
- LED level meter.
- Over current protection.
- Three Mic inputs, two Aux & 1 Tape input.
- AC / DC (12V).
- Bass & treble control for pack series.

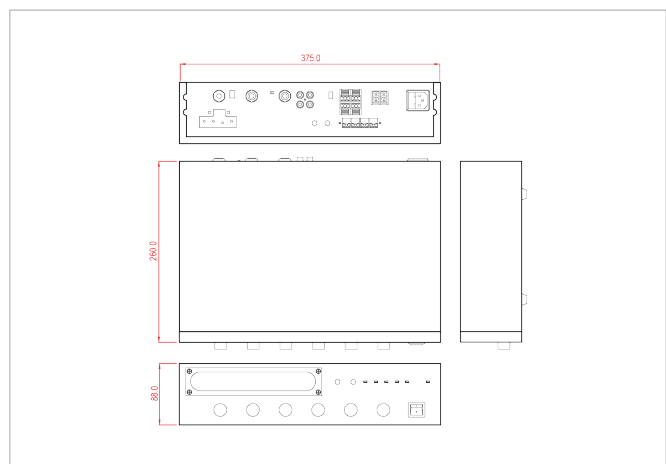
SPECIFICATIONS

THD AT 1KHZ(RATED OUTPUT)	MOBILE-35 : Less than 1% (25W) MOBILE-60 : Less than 1% (40W)
OUTPUT	REC : -6dB / 3KΩ Unbalanced
INPUT SENSITIVITY IMPEDANCE	MIC : -50dB/2KΩ BAL, TAPE : 0dB/3KΩ UNBAL AUX : -20dB/60KΩ (AUX1) BAL, -20dB/15KΩ (AUX2) BAL
FREQUENCY RESPONSE	Less than -3dB 150Hz~18kHz(at 1% THD)
TONE FILTER	Low 40Hz~400Hz -6dB/oct, High 2.5kHz~20kHz -6dB/oct
POWER CONSUMPTION	MOBILE-35 : 130W MOBILE-60 : 210W
MAX CURR. DRAW (120V/230V AC)	MOBILE-35 : 0.55A MOBILE-60 : 1A
WEIGHT(kg)	MOBILE-35 : 6kg, MOBILE-60 : 7kg
SIGNAL TO NOISE RATIO	AUX : More than 70dB MIC : More than 60dB
POWER	AC230V/50Hz, DC12V
DIMENSIONS(mm)	375(W) x 88(H) x 260(D)mm

MODULE SERIES (Option)



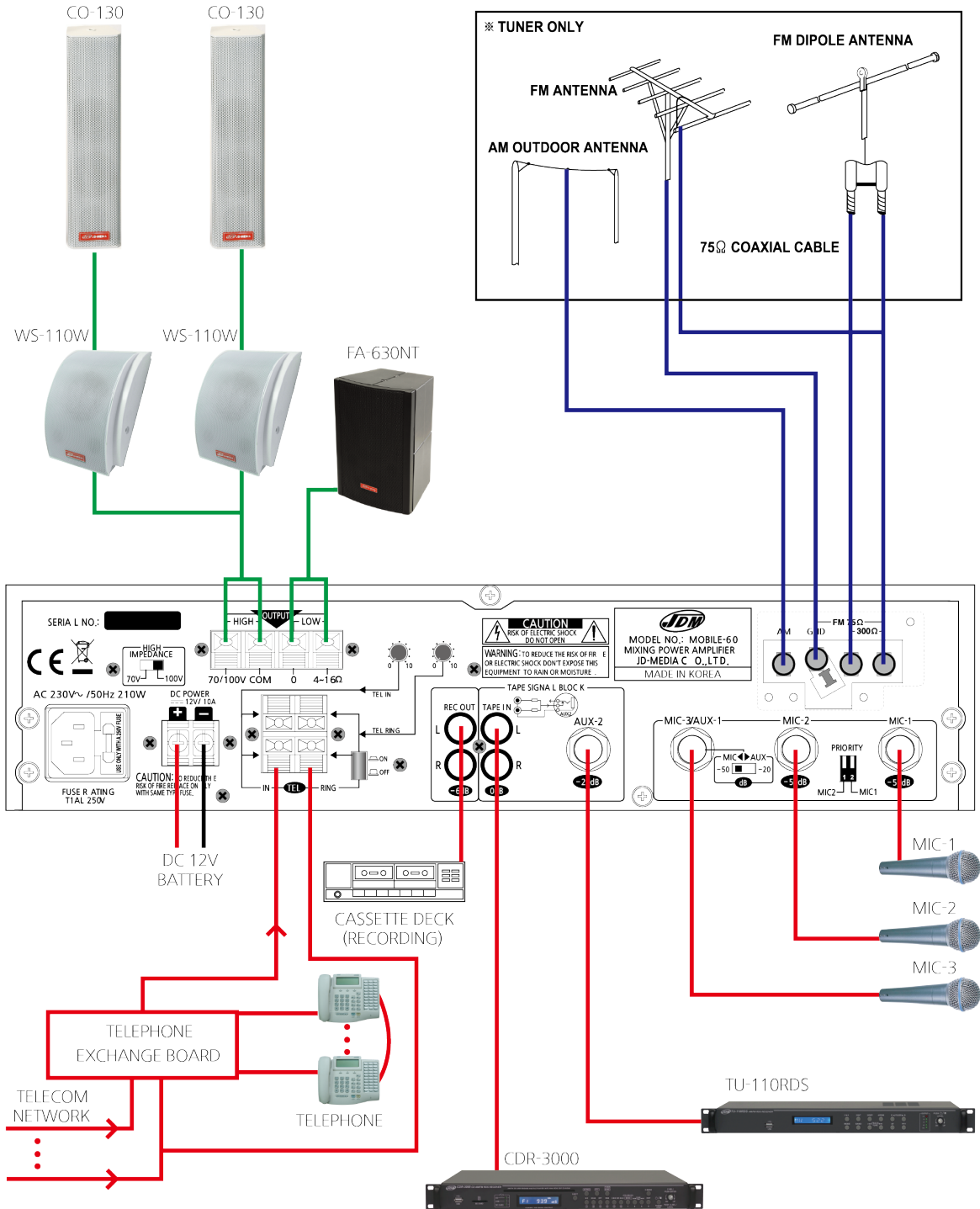
DRAWING



MIXING POWER AMPLIFIER

MOBILE-35/60

STANDARD APPLICATION



Specifications and design subject to change without notice for improvements.