

WIFI Access Control Module with time delay

ZJ-G1 WIFI Access control

(Support APP+2G+3G+4G)

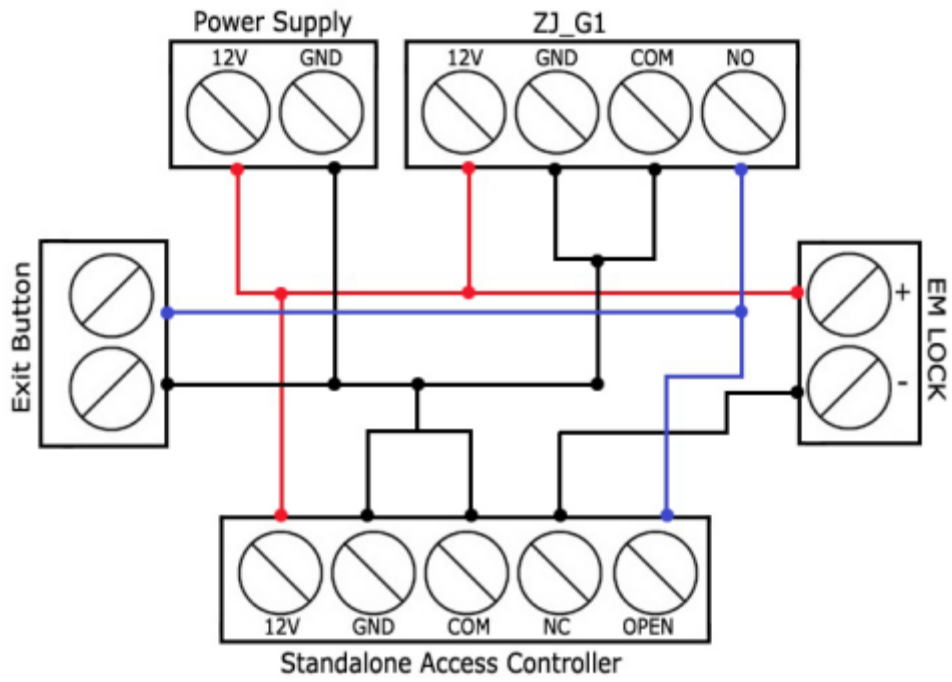
- 1: Voltage: (7-32V voltage)
- 2: Maximum Capacity: 10A
- 3: Function: Self-Locking and Inching Mode
- 4: Installation Environment: With WIFI
- 5: Support IOS and Android phone



WIFI Access Control Module (Support APP+2G+3G+4G)

Technical specification

Voltage	DC 7-32V
Quiescent current	80mA
Maximum Load power	2200W
Installation Environment	With WIFI
Dimension	80X50X32MM
Time delay	3s 6s 9s adjustable (press Config+Model switch button together)



Inching/Self-Locking Switch for WIFI module